

RIDGID®

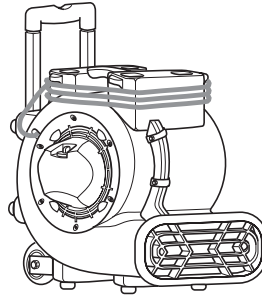
OWNER'S MANUAL

THREE SPEED AIR MOVER

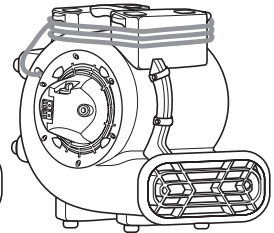
AM25600
AM22860

AM22870
AM22880

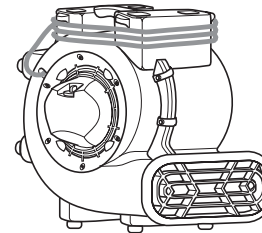
AM25600



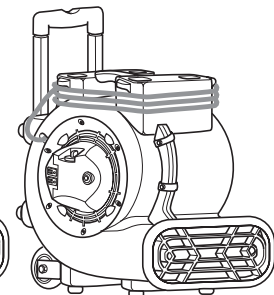
AM22870



AM22860



AM22880



**Test Equipment
Depot**

1-800-517-8431

5 Commonwealth Ave
Woburn, MA 01801
Phone 781-665-1400
Toll Free 1-800-517-8431



Visit us at www.TestEquipmentDepot.com



WARNING:

To reduce the risk of injury, the user must read and understand the owner's manual before using this product.

Thank you for buying a RIDGID product.

SAVE THIS MANUAL FOR FUTURE REFERENCE

Part No. SP7019

Printed in Mexico

Table of Contents

Section	Page	Section	Page
Important Safety Instructions	2-3	Storage	6
Motor Specifications and Electrical Requirements	3	Maintenance	6
Introduction	4	User Servicing/Troubleshooting Instructions	7
Unpacking and Checking Carton Contents	4	Repair Parts	8
Operation	5	Warranty	8
		Spanish	9
		French	17

IMPORTANT SAFETY INSTRUCTIONS

Safety is a combination of using common sense, staying alert, and knowing how your Air Mover works.

Safety Signal Words

⚠ DANGER: Indicates a hazardous situation which, if not avoided, will result in death or serious injury.

⚠ WARNING: Indicates a hazardous situation which, if not avoided, could result in death or serious injury.

⚠ CAUTION: Indicates a hazardous situation which, if not avoided, could result in minor or moderate injury or property damage.

When using your Air Mover, always follow basic safety precautions including the following:

⚠ WARNING:
- To reduce the risk of fire, electric shock, or injury:

- Read and understand this manual and all labels on the Air Mover before operating.
- Use only as described in this manual.
- To reduce the risk of electric shock, do not expose to rain, or immerse in or use in standing water. Store and use indoors only.
- Use only with GFCI-protected outlets.
- When storing, do not stack Air Movers more than 2 units high.
- Do not use an extension cord with this Air Mover.

- Electrical appliances can ignite flammable vapors or dust. Do not use near combustible liquids, gases, or dusts.
- Do not leave plugged into outlet when not in use or when servicing. Turn off before unplugging.
- To reduce the risk of stirring up and inhaling toxic vapors, do not use near toxic or hazardous materials.
- Never operate with safety grills removed.
- This unit's motor has an automatically-operated thermal protective device which may shut down the unit during operation and can restart at any moment. Unplug before servicing or cleaning.
- Do not use with solid state speed control device.
- This Air Mover is not intended for use by persons (including children) with reduced physical, sensory, or mental capabilities, or lack of experience and knowledge, unless they have been given supervision or instruction concerning use of the appliance by a person responsible for their safety.
- Do not allow to be used as a toy. Close attention is necessary when used by or near children.
- Do not unplug by pulling on cord. To unplug, grasp the plug, not the cord.
- Do not use with damaged cord, plug, or other parts.
- If your Air Mover is not working as it should, has missing parts, has been dropped, damaged, left outdoors, or dropped into water, call customer service.
- Do not pull or carry by cord, use cord as handle, close a door on cord, or pull cord around sharp edges or corners. Keep cord away from heated surfaces.

- Do not run cord under carpeting. Do not cover cord with throw rugs, runners, or similar coverings. Do not route cord under furniture or appliances. Arrange cord away from traffic area and where it will not be tripped over.
- Do not handle plug, switch, or the Air Mover with wet hands.
- Observe the 8 Amp maximum on-board convenience outlet rating when interconnecting units together (AM22870 & AM22880).
- Do not put any object into air intake openings.
- Keep hair, loose clothing, fingers, and all parts of body away from openings and moving parts.
- Direct air discharge only at work area. Do not direct air at bystanders.
- All disassembly and repairs should be performed by qualified personnel.
- Do not operate any fan with a damaged cord or plug. Discard fan or return to an authorized service facility for examination and/or repair.

Observe the following warnings that appear on the motor housing of your Air Mover:

⚠ WARNING:

To reduce the risk of electric shock, connect only to a GFCI protected outlet. Do not expose to water or rain. Indoor use only.

⚠ CAUTION:

- This Air Mover has an automatic motor shutoff device; it may restart without notice. To reduce the risk of injury, unplug before servicing.
- Do not use an extension cord with this fan.

⚠ WARNING:

TO REDUCE THE RISK OF TIP-OVER DURING STORAGE, STACK 2-HIGH ONLY.

⚠ WARNING:

Do not exceed 8 Amps through the on-board convenience outlets (AM22870 & AM22880).

⚠ CAUTION:

- For dusty operations, wear dust mask.
- Do not move or carry Air Mover when it is operating.
- Only operate on a level and stable surface to prevent the Air Mover from falling and possibly causing injury or damage to unit.

SAVE THIS MANUAL

Motor Specifications and Electrical Requirements

This Air Mover is provided with a 3-speed, 115 volt, 60 Hz induction motor with a grounding conductor. It is thermally protected and will automatically shut down if over-heated. Once it cools, the motor will restart automatically if not unplugged.

In the event of a malfunction or breakdown, grounding provides a path of least resistance for electric current to reduce the risk of electric shock.

This Air Mover is equipped with an electric cord having an equipment grounding conductor and a grounding plug. The plug must be plugged into a matching outlet that is properly installed and grounded in accordance with all local codes and ordinances.

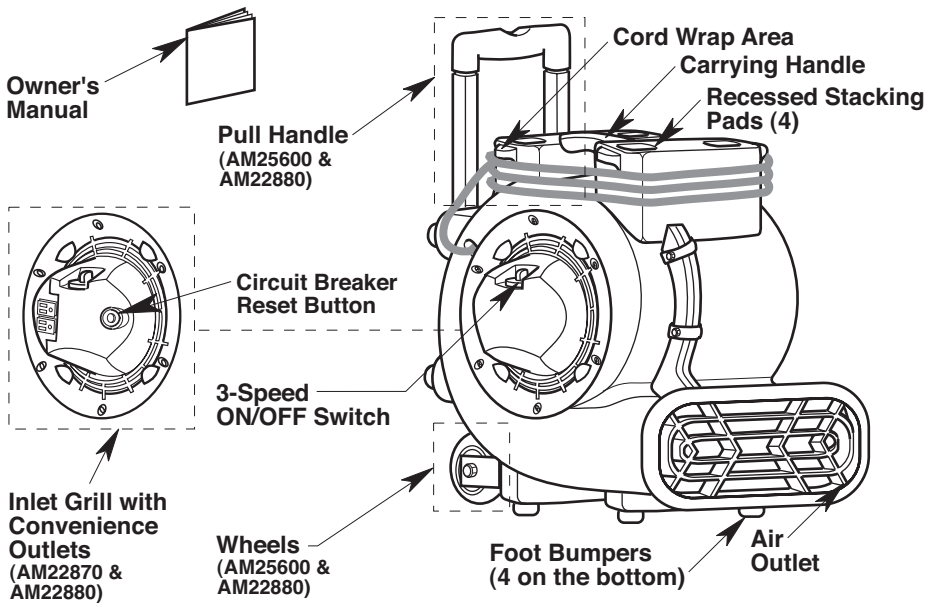
Do not modify the plug provided. If it will not fit the outlet, have the proper outlet installed by a qualified electrician.

Introduction

Air Movers are designed to move large volumes of air. They are used for air circulation, area drying, cooling and ventilation.

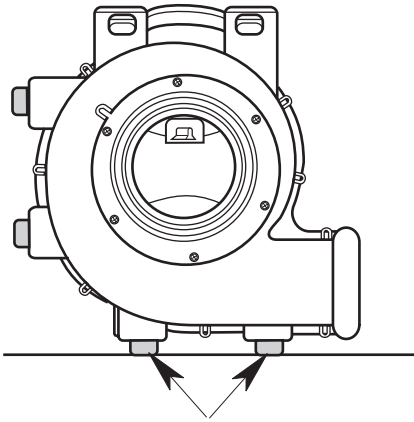
Unpacking and Checking Carton Contents

Carefully unpack and inspect your Air Mover. Call 1-800-4-RIDGID (1-800-474-3443) or E-mail us at info@RIDGIDvac.com if any parts are damaged or missing.

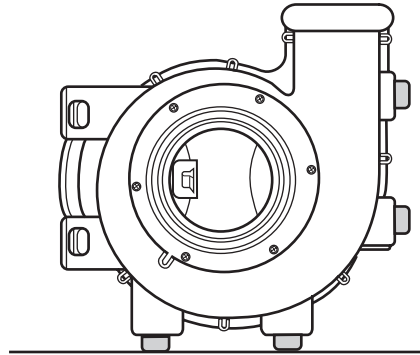


Operation

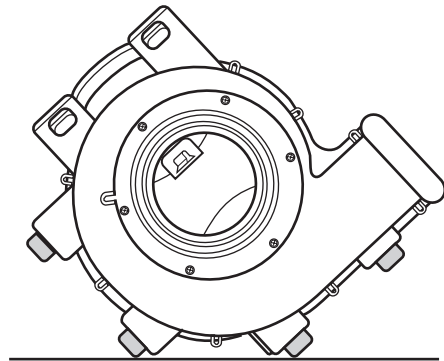
Place Air Mover in desired operating position (**Your Unit May Not Be As Illustrated**):



Foot Bumpers (4)
Floor & Carpet



90° Ceilings & Ventilation



45° Walls & Ventilation

Air Mover Interconnection

RIDGID Air Movers can be interconnected in series using the convenience outlets. Applicable Models include AM22870 and AM22880. If utilizing the series interconnection feature, only use Air Movers that total less than the recommended 7.9 Amp maximum convenience outlet rating. The 8 Amp on-board circuit breaker will allow up to two (2) additional RIDGID Air Movers to run on the first Air Mover at the same time.

NOTE: Air Mover Models AM22870 and AM22880 are equipped with convenience outlets with an on-board 8 Amp circuit breaker. If the convenience outlet overloads, the circuit breaker will trip. If the circuit breaker does trip, turn the switch to the off position and unplug all units then press the circuit breaker reset button. Plug the units back into the power source. The on-board convenience outlets on the Air Mover will be actively powered when the Air Mover is plugged in and the circuit breaker is properly reset.

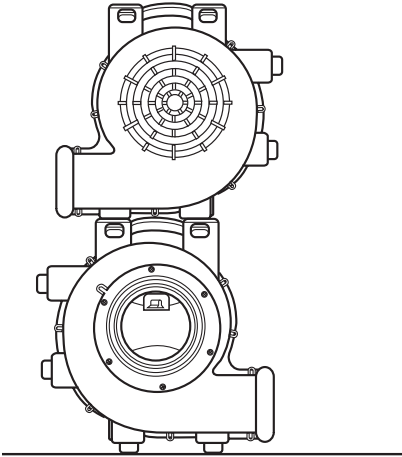
Storage

When stacking units, position the four foot bumpers on the recessed stacking pads.

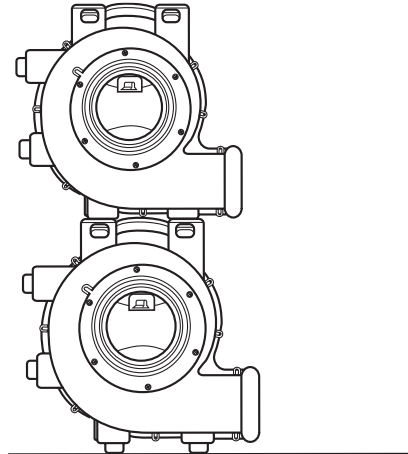
The units conveniently “stack” for storage, as shown, no more than two (2) units high.

⚠ CAUTION:
Do not operate Air Mover when stacked on top of each other.
Do not stack more than 2 high.

PREFERRED POSITION



ALTERNATE POSITION

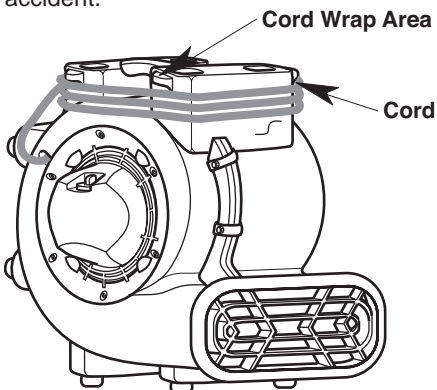


(Your Unit May Not Be As Illustrated)

Maintenance

Cord Maintenance

When use is complete, unplug the cord and wrap it around the cord wrap area as shown. If the power cord is damaged, it must be replaced by the manufacture or their service agent or by qualified personnel in order to reduce the risk of accident.



(Your Unit May Not Be As Illustrated)

Storage

Before storing your Air Mover, the cord should be wrapped around the unit. The Air Mover should be stored indoors.

Cleaning Your Air Mover

If the polypropylene housing becomes soiled it may be wiped off with a damp cloth.

Make sure inlet grills, exhaust grille and blower wheel surfaces remain clean of dust and dirt build-up.

Wheels (AM25600 & AM22880)

If your wheels are noisy, you may put a drop of oil on the roller shaft to make them quieter.

User Servicing / Troubleshooting Instructions

⚠ WARNING: Unplug before any disassembly or servicing.

⚠ WARNING: All disassembly and repairs should be performed by qualified personnel.

⚠ WARNING: After servicing, any safety device (includes grilles, impeller, etc.) should be reinstalled or remounted.

PROBLEM	CAUSE	SOLUTION
Unit will not run.	<ol style="list-style-type: none"> 1. No power to unit. 2. Switch not on. 3. Switch is faulty. 4. Faulty/broken cord or motor wire. 	<ol style="list-style-type: none"> 1. Plug unit in. Check circuit breaker. 2. Place in "ON" position. 3. Replace switch. 4. Perform continuity check, using volt/amp meter.
Unit runs but air mover makes loud scraping noise.	<ol style="list-style-type: none"> 1. Unit has been severely jolted causing blower wheel to rub against housing. 2. Unit has been severely jolted causing housing to deform. 	<ol style="list-style-type: none"> 1. Remove motor and replace damaged motor if necessary. 2. Replace blower wheel.
Unit runs but vibrates excessively.	<ol style="list-style-type: none"> 1. Severe jolt has bent motor shaft causing unit to be out of balance. 2. Blower wheel blade damaged. 3. Dirt build up on one side of Air Mover blower wheel. 	<ol style="list-style-type: none"> 1. Remove and replace motor. 2. Replace blower wheel if necessary. 3. Clean blower wheel blades.
Unit runs but blower wheel does not turn.	<ol style="list-style-type: none"> 1. Blower wheel is jammed against housing. 2. Capacitor wire has broken/ come loose, capacitor has failed. 3. Housing has been damaged such that it presses on blower wheel. 	<ol style="list-style-type: none"> 1. Adjust and replace blower wheel if necessary. 2. Repair/replace motor if necessary. 3. Replace unit as necessary.
Unit runs briefly, then shuts off on overload.	<ol style="list-style-type: none"> 1. Motor bearings are failing or motor has developed an internal electrical fault. 2. Intake grille and/or exhaust grille is obstructed. 	<ol style="list-style-type: none"> 1. Replace motor. 2. Remove obstruction.
Convenience outlet not working. (if equipped)	<ol style="list-style-type: none"> 1. No power to unit. 2. Convenience outlet circuit breaker not reset. 	<ol style="list-style-type: none"> 1. Plug unit in. 2. Reset circuit breaker.

Repair Parts

Three Speed Air Mover
Model Numbers AM22860, AM22870, AM25600 or AM22880
RIDGID parts are available on-line at store.ridgid.com/air-movers

Always order by Part Number - Not by Key Number



Symbol of Quality, Durability and Dependability

What is covered

RIDGID® tools are warranted to be free of defects in workmanship and material.

How long coverage lasts

This warranty lasts for the lifetime of the RIDGID® tool. Warranty coverage ends when the product becomes unusable for reasons other than defects in workmanship or material.

How can you get service

To obtain the benefit of this warranty, deliver via prepaid transportation the complete product to RIDGE TOOL COMPANY, Elyria, Ohio, or any authorized RIDGID® INDEPENDENT SERVICE CENTER. Pipe wrenches and other hand tools should be returned to the place of purchase.

What we will do to correct problems

Warranted products will be repaired or replaced, at RIDGE TOOL's option, and returned at no charge; or, if after three attempts to repair or replace during the warranty period the product is still defective, you can elect to receive a full refund of your purchase price.

What is not covered

Failures due to misuse, abuse or normal wear and tear are not covered by this warranty. RIDGE TOOL shall not be responsible for any incidental or consequential damages.

How local law relates to the warranty

Some states do not allow the exclusion or limitation of incidental or consequential damages, so the above limitation or exclusion may not apply to you. This warranty gives you specific rights, and you may also have other rights, which vary, from state to state, province to province, or country to country.

No other express warranty applies

This FULL LIFETIME WARRANTY is the sole and exclusive warranty for RIDGID® products. No employee, agent, dealer, or other person is authorized to alter this warranty or make any other warranty on behalf of the RIDGE TOOL COMPANY.

Stock No. AM2286, AM2287, AM2560, AM2288
Model No. AM22860, AM22870, AM25600, AM22880
Model and serial number may be found on the back of the unit.
You should record both model and serial numbers in a safe place for future use.



5 Commonwealth Ave
Woburn, MA 01801
Phone 781-665-1400
Toll Free 1-800-517-8431

Visit us at www.TestEquipmentDepot.com

© 2020 Emerson

Part No. SP7019

Form No. SP7019-1

Printed in Mexico 01/20