

Test Equipment Depot - 800.517.8431 - TestEquipmentDepot.com



BVX-250

Two-station Fume Extraction System

User Guide

Guide de l'utilisateur (21)

Benutzerhandbuch (41)

Guida per l'utente (61)

Guía del usuario (81)

用户指南 (101)

ユーザーガイド (120)

사용자 가이드 (139)

7100-2500_A

Operations Manual & User Guide

Congratulations on your purchase of the BVX-250 Fume Extraction System. It is designed to protect your health from hazardous and irritating air pollutants you may have in your work area. It has been designed and manufactured to the highest quality standards. Thank you for your purchase of the Metcal BVX-250 Series Fume Extraction System.

This document has been prepared to guide you with the setup, operation, and user maintenance of your system. We recommend that you review it to optimize performance and for your safety.

Contents

1. Safety Precautions.....	3
2. Unpacking and Inspection.....	4
3. Description	6
4. Technical Data.....	10
5. Installation.....	11
6. Communication with CV and GT Series Soldering Systems	13
7. Maintenance and Cleaning.....	14
8. Troubleshooting	17
9. Part Numbers	18
10. Warranty	19

Get the BVX-250 Quick Start Guide

<https://bit.ly/Metcal-BVX-250-Quick-Start-Guide>

1. Safety Precautions

1.1. Safety Symbols



Warning!

Refers to safety regulations and required safety measures that protect the operator or other persons from injury.



Caution!

Emphasizes what must be done or avoided so the unit or other property is not damaged.



Notice:

Gives recommendations for better handling of the unit during operation, adjustment, and service activities.

1.2. Safety Warnings



WARNING!

For safe and successful operation of the Unit, read these instructions completely. If the instructions are not observed, the manufacturer can assume no responsibility. Retain this manual for future reference.



WARNING!

Consult your “safety department” when using the Unit on flammable gases. This Unit is not explosion safe and can **only** be used for the extraction of vapors, which have concentration levels well below the lower explosive limits.



WARNING!

Do not use the Unit to extract corrosive substances.



WARNING!

Do not expose the connecting cable to heat, oil, or sharp edges.



WARNING!

Make sure the Unit stands stable and secure.



WARNING!

Use only original equipment filters.



WARNING!

Do not operate the Unit without filter inserts. Contaminants in the extracted air will damage the blower.



WARNING!

Always disconnect the power supply before servicing the Unit.



WARNING!

Never cover exhaust openings.



WARNING!

Never cover all air inlet openings simultaneously.



Exception: One opening may be sealed off for single station operation.

WARNING!

This system is equipped with automatic reset overload protection, which may cause the unit to restart automatically.

WARNING!

Observe general safety regulations for the handling of chemicals such as adhesives and sealants. Observe the manufacturer’s instructions as stated in the Material Safety Data Sheet (MSDS).

2. Unpacking and Inspection

Carefully unpack the Fume Extraction System and examine the items contained in the carton. Inspect the Unit for any damage that might have occurred in transit. If such damage is present, notify the carrier immediately. Claims for damage must be made by the consignee to the carrier and should be reported to the manufacturer.

2.1. Items Supplied

- 2 Filters (Pre and Main) are installed in the unit
- 1 Remote start/stop switch
- 1 Power Cord
- 1 Operating Manual

2.2. Features

- Change filters without removing the hoses
- Color-coded LED status ring
- HEPA 13 Efficiency at 99.97%
- Optional Deep-bed gas filter (sold separately)
- Connects to 50 mm (2") hoses and arms
- On/Off switch with “soft-start” feature
- Adjustable air flow – Three airflow options (High, Medium, & Low)
- Powerful airflow and suction capacity
- Light-weight, portable, and compact design
- ESD-safe housing
- UL & CSA, UKCA, KC, PSE, NOM, CE (ISO-14644)
- RoHS/REACH
- Suitable for indoor use only
- May be used in temperatures between 0 °C and 40 °C
- Suitable for use at altitudes between 0 m and 2,000 m
- Pollution Degree 2



2.3. Usage

The Fume Extraction System is a portable, two-station filtration system for the removal of fumes, light dust, or vapors at the workplace. The filter set supplied with the filter unit depends on the model ordered.

The BVX-250 is supplied with a pre-filter and a main filter. The main-filter is a HEPA/Gas combo-filter consisting of a HEPA 13 filter, with an efficiency of 99.97% at 0.3 micron, and an activated carbon filter. This model is designed for applications such as solder fumes from soldering irons, solder pots, etc.

A deep-bed gas (activated carbon) main filter is also available (FG-BVX250), designed for applications such as cleaning with solvents, conformal coating, etc. (Sold separately)



WARNING!

Consult your “safety department” when using the Unit on flammable gases. This unit is not explosion safe and only used for the extraction of vapors, which have concentration levels well below the lower explosive limits.

PRE FILTER

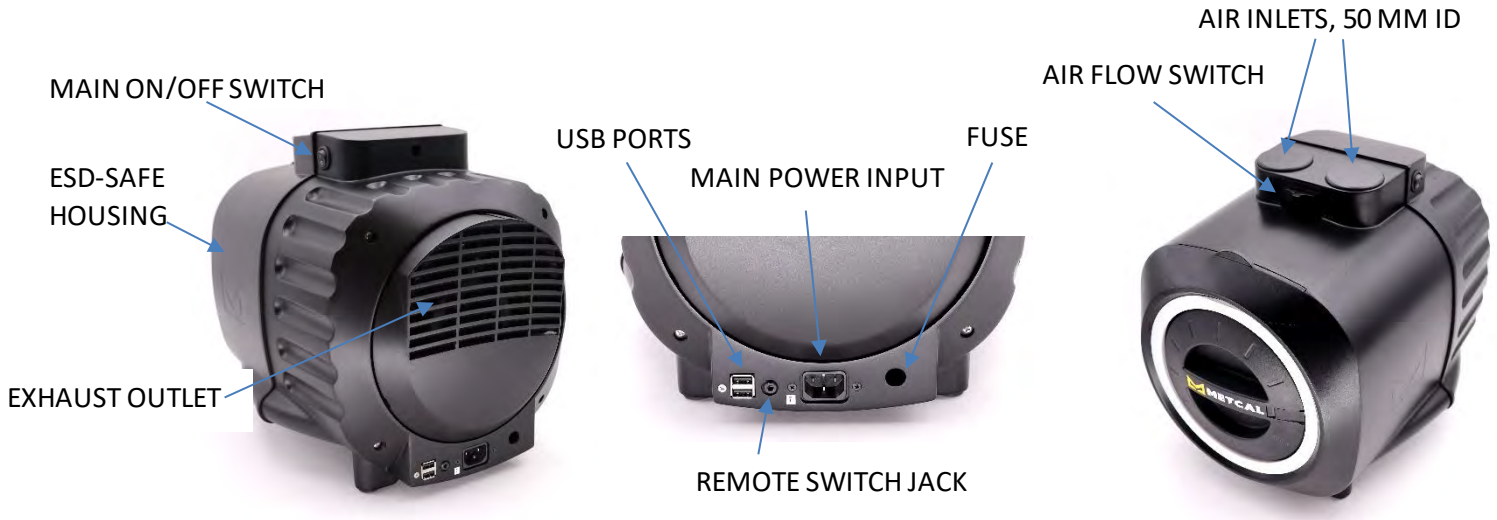


MAIN FILTER



3. Description

3.1. Operating Elements and Construction



Warning: Do not insert audio devices into the Remote Switch Jack.

Warning: USB ports are used for communication and data transfer; NOT intended to be used as a charging device.

3.2. Theory of Operation

The efficient removal of hazardous fumes at your workplace is a two-step process: fume capture and filtration. The filter unit is supplied with a set of filters already installed.

To capture fumes, Metcal recommends use of optional hoses/arms and accessories (purchased separately). The hoses/arms need to be set up properly (instructions supplied with hoses/arms) and the nozzle positioned in a way to optimize fume capture.

Air extracted from your work area will be purified when passing through the filters inside the unit. Contact your local Metcal representative if there are any questions regarding the proper selection of filters for your application.

3.3. Color-coded LED Status Ring

The BVX-250 is designed with a color-coded LED status ring. The LED ring changes colors depending on the mode the unit is in, or if there is an issue with one of the filters.

- **BLUE:** Power is on, unit is in idle mode
- **GREEN:** Power is on, unit is operating normally, extracting fumes
- **AMBER FLASHING:** The Pre-Filter is not installed properly
- **AMBER:** The Pre-Filter should be replaced
- **RED FLASHING:** The Main Filter is not installed properly
- **RED:** The Main Filter should be replaced

See Section 7.4 for filter replacement procedures.



3.4. Managing Unit Exhaust

The unit's exhaust can be directed by the attached rotating diverter, or by connecting the unit to your building's ventilation system.

360-Degree Rotating Exhaust Diverter

The BVX-250 features a 360-degree rotating exhaust diverter. The filtered air coming from the unit can be easily exhausted in any direction. Simply rotate the exhaust diverter to aim the air as desired for maximum operator comfort.



The adjustable air diverter rotates 360 degrees for maximum operator comfort.

Connecting BVX-250 to Ducting Systems

The rotating diverter can easily be removed to allow direct ducting into building ventilation systems with the available ducting adapter.

- 1. Remove the Diverter:** The diverter is held on the unit by six (6) small tabs. Gently insert a small flat-head screwdriver into the slot the corresponds to the top-most tab. With the head of the screwdriver, push down slightly on the tab. You will feel the tab release. Repeat this process until enough tabs have been released to remove the diverter.



- 2. Install the Ducting Adapter:** Replace the diverter with the optional adapter for direct ducting (AC-BVX250-DUCT). It is secured to the BVX-250 using the same tab system as the diverter. Make sure the adapter fits snugly.

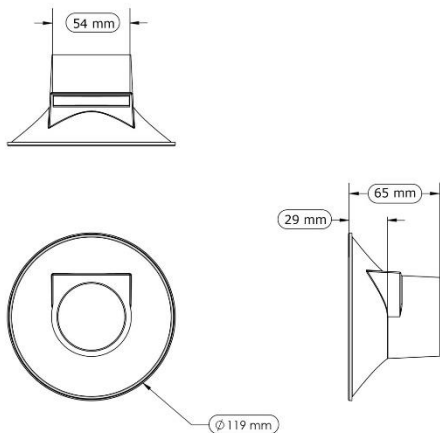


3. Attach the Ducting to the Adapter: Simply attach standard 3" ducting to the ducting adapter using an adjustable "worm" ducting clamp.

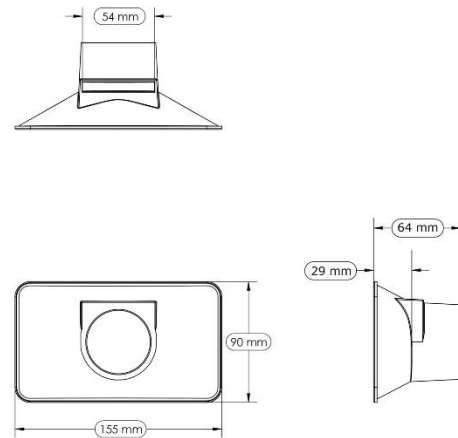


4. Technical Data

Max. airflow, free blowing	297 m ³ /h (175 cfm)
Flow rate	2 x 75 m ³ /h (45 cfm)
Static pressure	1743 Pa (7" WC)
Noise level (approx.)	50 dBA (at medium setting)
Voltage	100 - 240 VAC, 1 phase
Frequency	50/60 Hz
Power	150 Watts
Safety compliance	UL & CSA, UKCA, KC, PSE, NOM, CE (ISO-14644), TUV
Dimensions W/D/H mm	268 x 400 x 320
Dimensions W/D/H inches	10.5" x 16" x 13"
Weight (approx.)	12 lbs. / 5.5 kg



BVX-NOZC



BVX-NOZR

5. Installation

5.1 Unboxing & Set-up

Remove the Fume Extraction System from the packing materials and place it on the floor under the workbench or near your work area where fume extraction is required. Make sure you have access to the unit for filter maintenance.

Connect the Unit power cord into the main power input on the back of the system. Plug the power cord into a grounded wall outlet.



Warning!

To provide protection against the risk of electrical shock, connect to properly grounded outlets only.

Connect the Unit to hoses/arms (optional) per installation instructions. To power up the system, press the power switch located on the top right side of the Unit (“I” indicates the “Power On” position). The operator can expect a delay of a few seconds before hearing the fan running. This is due to a built-in motor “Soft-Start” feature.

Position the arms/hoses to optimize the fume capture.

Follow maintenance procedures below.

Attach the Nozzle to the Hose

1. Connect the nozzle to the hose by pushing it until it stops.
2. Turn the nozzle clockwise to ensure the nozzle is attached firmly to the hose.
3. Insert the nozzle filter into the top of the nozzle - ensure it clicks into place.
4. Insert the assembled nozzle and hose into the suction inlet of the fume extraction unit.



5.2 Turning off the Blue LED Status Light (optional)

Some users of the BVX-250 prefer to turn off the LED status ring light when the unit is in idle mode.

To turn off the blue Idle Mode status indicator:

1. Make sure the unit is off.
2. Open the Pre-Filter drawer.
3. Turn the unit on.
4. Gently open and close the Pre-Filter drawer four times, each open/close cycle lasting about one second each.
5. Make sure the Pre-Filter drawer is completely closed.



The blue status light has now been deactivated and will not turn on when the unit goes into idle mode.

To reactivate the blue status light, simply repeat the steps above.

6. Communication with ConnectionValidation™ (CV) and GT Series Soldering Systems

The BVX-250 Series Fume Extraction System can communicate with a connected Metcal CV or GT Series soldering system. (A firmware update may be required)

Simply connect a USB-A to USB-A cable between the USB port on the BVX-250 and the USB port on the CV or GT Series soldering station.

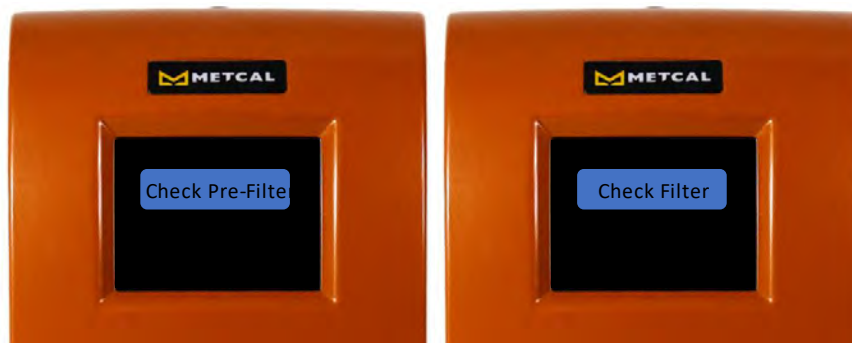
IDLE MODE

When the BVX-250 is connected to a CV or GT soldering system, it will go into idle mode (indicated by the LED ring turning blue) when the connected soldering system is in an idle mode. The GT goes into idle/sleep mode when the handpiece does not move for a set time (selectable). The CV will go into idle/sleep when the tip is in the sleeper stand. If the BVX is connected to two soldering systems, both systems need to be in idle mode to trigger idle mode on the extraction system. When the connected soldering station is no longer in idle/sleep mode, the BVX unit will resume normal fume extraction.

SCREEN ALERTS

The screen on the connected CV or GT soldering system will now display alerts sent from the fume extraction system that correspond to the messages conveyed by the LED ring:

- **PRE-FILTER (SOLID OR FLASHING AMBER LED RING):** If the pre-filter needs to be changed or is not installed correctly, a popup will appear on a connected soldering system.
- **FILTER (SOLID OR FLASHING RED LED RING):** If the main filter is blocked or not installed correctly, a popup will appear on a connected soldering system.



7. Maintenance and Cleaning

7.1. Filter Unit - Maintenance and Safety

The Fume Extraction System is designed with low maintenance in mind. The housing is ESD-safe plastic. Here are a few tips to keep your system running in top shape:

To clean, use a light wipe with a gentle cleaner to prevent buildup of particulate and flux residue (be sure the Unit is turned off while cleaning).



Do not block the exhaust outlets; this will cause the operating temperature of the system to rise, potentially damaging the Unit, and causing a drop in performance.



Do not defeat the filter interlock switch. Running the system without a filter will allow particulate and flux residue to adhere to the blower and decrease the life of the system and increase noise.

Do not lift the system while operating.



Be sure to handle filters with care.

7.2. Filter Replacement Timing

HEPA/Gas Filter

When fumes are filtered inside the Unit, the particulates captured will start clogging the filter over time. The coarse particles are collected in the pre-filter while fine particles will be collected in the HEPA 13 filter. The clogging will result in a reduction of the airflow, which may reduce the number of fumes extracted from the work area. This condition may not necessarily require filter replacement. One step is to move the optional extraction arms closer to the application if possible. If the fumes are not extracted any longer to previous satisfaction level, or when the LED light changes to RED or AMBER, filter replacement is required. See section 7.4 for filter replacement procedures.



Warning!

Do not attempt to clean filters. Attempted cleaning can damage filters and cause potential risk to health and equipment.



Notice: Metcal recommends replacement of main filters annually as a minimum. Regular changing of the pre-filter will prolong the life of the main filter (HEPA/Carbon). Use only original replacement filters.

Optional Deep Bed Gas Filter

Deep bed gas filters generally do not clog and reduce airflow as is common with HEPA filters. Replace both filters, pre-filter, and carbon filter, as soon as odors become noticeable.



Notice: Replace filters at least every 6 months, as most gas-phase filter media achieve saturation by absorbing moisture from ambient air. **Use only original replacement filters.**

7.3. Safety Interlock

The safety switch is an interlock which deactivates the fan motor when the main filter is removed, allowing the fan inlet opening to be exposed. The safety switch also prevents the system from operating without the filters, which would allow impurities to contaminate the internal unit.



SAFETY SWITCH LOCATION



WARNING!

Do not bypass the safety interlock. Bypassing the safety interlock could result in injury.

7.4. Filter Replacement Procedure:

1. Turn the Unit off.
2. Disconnect the power cord.
3. Remove and replace the Pre-filter (see illustration below).
4. Remove and replace the Main filter (see illustration below).
5. Reinsert the filter by lining up the white dot on the filter holder with the white dot at the top of the opening. Slide the filter into place.
6. Secure the filter holder by turning it 90 degrees clock-wise. *The Metcal logo should be right-side-up and parallel with the floor.*
7. Reconnect the power cord and turn the system on.
8. If Unit does not operate, refer to the Troubleshooting section.



Notice: Always use new replacement filters!

BVX-250 Series Fume Extraction System

User Guide



REPLACE PRE-FILTER



REPLACE MAIN FILTER



7.5. Filter Disposal

The gas filter collects some organic materials and care in disposal may be required. The filter may contain toxic materials and inhalation of dust particles or exposure to skin must be avoided. Please consult the MSDS sheets for the material used at your facility and follow the prescribed handling instructions.

8. Troubleshooting

	Possible Cause	Check and Correction
No air flow	No Power	Check On/Off switch Check power outlet Check power cord Check for filter Check safety interlock switch
Little air flow	Air leak	Check hose/arm for leaks Check hose/arm for proper installation Check hose/arm for partial clogging
Motor not running and RED LED display	Main filter not inserted or not fully inserted	Place Main filter in unit and push, make sure it is fully inserted
Motor not running AMBER LED DISPLAY	Pre-filter not inserted or not fully inserted	Place Pre-filter in unit and make sure it is fully inserted
Motor is running and RED LED DISPLAY	Main filter needs to change	Change Main filter per 7.4
Motor is running and AMBER LED DISPLAY	Pre-filter needs to be replaced	Change Pre-filter per 7.4

The BVX-250 filter-block LED display is factory calibrated to a specific airflow.

1. Assemble the BVX-250 as per the User Guide. Both the main power switch and the remote switch (if used) should be in the 'Off' position.
2. Switch On the main Unit and press the remote switch. The remote switch LED will light when powered. The Unit will run, and you will see the LED display on BVX-250 Unit turn GREEN.



While under warranty, the Unit may only be repaired by an Authorized Metcal Service Representative.

9. Part Numbers

Systems

BVX-250	Unit, HEPA 13/Gas Filter & Pre-Filter (Arms sold separately)
BVX-250-KIT	Unit, HEPA 13/Gas Filter, Pre-Filter, and (1) BVX-ARML, (1) BVX-NOZR, (1) BVX-NOZC (includes Rectangular and Circular Nozzles, Nozzle Filters)

Filters

FP-BVX250	Pre-Filter (Pack of 5)
FM-BVX250	Main Filter, HEPA 13/Gas/Carbon
FG-BVX250	Main Filter, Deep Bed Gas/Carbon
FN-BVX	Replacement Nozzle Filter for BVX-NOZR and BVX-NOZC nozzles (pack of 5)

Nozzles

BVX-NOZR	Rectangular Nozzle for BVX Systems, ESD-Safe
BVX-NOZC	Circular Nozzle for BVX Systems, ESD-Safe
BVX-NOZ1	Hoof Nozzle for BVX Systems, ESD-Safe

Arm Kits & Accessories

BVX-ARM-K1	2.5' Flexible Arm, 6' Hose, Table Bracket & Claps, ESD-Safe
BVX-ARM	2.5' Flexible Arm, 2" Ø, ESD-Safe
BVX-ARML	5' Flexible Arm, 2" Ø, ESD-Safe
BVX-CH01	6' BVX Connection Hose, 2" Ø, ESD-Safe
BVX-CH02	12' BVX Connection Hose, 2" Ø, ESD-Safe
AC-BVX250-DUCT	Adapter for Direct Ducting BVX-250 to Ventilation Systems
AC-BVX250-OMNI	BVX-250 Adaptor for Omniflex Arms
RPS-1	Replacement Remote Power Switch for BVX-200 Series
BVX-TB01	BVX Table Bracket Mount & 2 C-Clamps

10. Warranty

Please visit Metcal's website (www.metcal.com) where you will find available information on systems, accessories, technical notes, and more. You may also contact your local representative for pricing and availability.

Metcal warrants the BVX-250 Series against any defects in materials or workmanship for one (1) year from the date of purchase by the original owner. This Warranty excludes normal maintenance and shall not apply to any opened, misused, abused, altered, or damaged items. If the product should become defective within the warranty period, Metcal will repair or replace it free of charge at its sole option. The repaired or replacement item(s) will be shipped, freight prepaid, to the original purchaser. The warranty period will start from the date of purchase. If the date of purchase cannot be substantiated, the date of manufacture will be used as the start of the warranty period.

For the repair or return of a unit a Return Material Authorization Number (RMA #) needs to be obtained.

Americas

OK International
10800 Valley View Street
Cypress, CA 90630, USA
(714) 799-9910
na-custcare@okinternational.com

Europe

OK International
Eagle Close
Chandler's Ford Ind Est
Eastleigh, Hampshire
SO53 4NF, United Kingdom
English: +44 2380 489 100
Français: +33 176 710 403
Deutsch: +49 711 959 69 744
europe@okinternational.com

Asia

OK International
4th floor East, Electronic Building,
Yanxiang Industrial Zone
High Tech Road
Guangming New District, Shenzhen P.R.C
+86-755-2327 6366
china@okinternational.com



BVX-250

Système d'extraction de fumée deux stations

7100-2500_A

Manuel d'utilisation et guide de l'utilisateur

Félicitations pour votre achat du système d'extraction de fumée BVX-250. Il est conçu pour protéger votre santé contre les polluants atmosphériques dangereux et irritants que vous pourriez avoir dans votre espace de travail. Il a été conçu et fabriqué selon les normes de qualité les plus élevées. Nous vous remercions pour votre achat du système d'extraction de fumée de la série Metcal BVX-250.

Ce document a été préparé pour vous guider dans la configuration, le fonctionnement et la maintenance utilisateur de votre système. Nous vous recommandons de le consulter pour optimiser les performances et pour votre sécurité.

Table des matières

1. Précautions de sécurité	22
2. Déballage et inspection	23
3. Description	25
4. Données techniques	29
5. Installation.....	30
6. Communication avec les systèmes de soudage ConnectionValidation™ (CV) et de la série GT	32
7. Maintenance et nettoyage	33
8. Dépannage.....	37
9. Numéros de pièce.....	38
10. Garantie.....	39

Guide de démarrage rapide du BVX-250

<https://bit.ly/Metcal-BVX-250-Quick-Start-Guide>

1. Précautions de sécurité

1.1. Symboles de sécurité



Avertissement !

Fait référence aux règles de sécurité et aux mesures de sécurité requises pour protéger l'opérateur ou d'autres personnes contre les blessures.



Attention !

Souligne ce qui doit être fait ou évité pour que l'unité ou les autres biens ne soient pas endommagés.



Avis :

Donne des recommandations pour une meilleure manipulation de l'unité pendant le fonctionnement, le réglage et les activités d'entretien.

1.2 Avertissements de sécurité



AVERTISSEMENT !

Pour un fonctionnement sûr et efficace de l'unité, lisez ces instructions dans leur intégralité. Si les instructions ne sont pas respectées, le fabricant ne peut assumer aucune responsabilité. Conservez ce manuel pour référence ultérieure.

AVERTISSEMENT !



Consultez votre « service de sécurité » lorsque vous utilisez l'unité avec des gaz inflammables. Cette unité n'est pas antidéflagrante et ne peut être utilisée **que pour l'extraction de vapeurs** dont les niveaux de concentration sont bien inférieurs aux limites inférieures d'explosivité.

AVERTISSEMENT !

N'utilisez pas l'unité pour extraire des substances corrosives.



AVERTISSEMENT !

N'exposez pas le câble de connexion à de la chaleur, à de l'huile ou à des bords coupants.

AVERTISSEMENT !

Assurez-vous que l'unité est stable et sécurisée.



AVERTISSEMENT !

N'utilisez que des filtres d'origine.

AVERTISSEMENT !

Ne faites pas fonctionner l'unité sans filtre. Tout contaminant présent dans l'air extrait endommagera le ventilateur.



AVERTISSEMENT !

Débranchez toujours l'alimentation électrique avant de procéder à l'entretien de l'unité.

AVERTISSEMENT !

Ne couvrez jamais les orifices d'échappement.

AVERTISSEMENT !

Ne couvrez jamais toutes les ouvertures d'entrée d'air simultanément.



Exception : Une ouverture peut être fermée pour une utilisation avec une seule station.

AVERTISSEMENT !

Ce système est équipé d'une protection contre les surcharges par réinitialisation automatique, ce qui peut entraîner le redémarrage automatique de l'unité.



AVERTISSEMENT !

Respectez les consignes de sécurité générales pour la manipulation de produits chimiques tels que les adhésifs et les produits d'étanchéité. Respectez les instructions du fabricant telles qu'indiquées dans la fiche signalétique (MSDS).

2. Déballage et inspection

Déballer soigneusement le système d'extraction des fumées puis examiner les articles contenus dans le carton. Inspectez l'unité pour détecter tout dommage qui aurait pu se produire pendant le transport. Si de tels dommages sont présents, prévenez immédiatement le transporteur. Les réclamations pour dommages doivent être faites par le destinataire auprès du transporteur et doivent être signalées au fabricant.

2.1. Articles fournis

- 2 filtres (pré-filtre et filtre principal) sont installés dans l'unité
- 1 Interrupteur d'alimentation à distance
- 1 Cordon d'alimentation
- 1 Mode d'emploi



2.2. Fonctionnalités

- Changez les filtres sans retirer les tuyaux
- DEL multicolore circulaire d'état
- Efficacité HEPA 13 à 99,97%
- Filtre optionnel anti-gaz à lit profond (vendu séparément)
- Se raccorde à des tuyaux et à des bras de 50 mm (2 pouces)
- Interrupteur d'alimentation avec fonction de démarrage progressif
- Débit d'air réglable - Trois options de débit d'air (haut, moyen et faible)
- Débit d'air et capacité d'aspiration puissants
- Conception légère, portable et compacte
- Boîtier antistatique
- UL & CSA, UKCA, KC, PSE, NOM, CE (ISO-14644)
- RoHS/REACH
- Convient uniquement à une utilisation en intérieur
- Peut être utilisé à des températures comprises entre 0 °C et 40 °C
- Convient pour une utilisation à des altitudes comprises entre 0 m et 2 000 m
- Degré de pollution 2

2.3. Utilisation

Le système d'extraction de fumée est un système de filtration portable pour deux stations destiné à éliminer les émanations, les poussières légères ou les vapeurs sur le

lieu de travail. Le jeu de filtres fourni avec l'unité de filtration dépend du modèle commandé.

Le BVX-250 est fourni avec un préfiltre et un filtre principal. Le filtre principal est un filtre combiné HEPA/anti-gaz composé d'un filtre HEPA 13, d'une efficacité de 99,97 % à 0,3 micron, et d'un filtre à charbon actif. Ce modèle est conçu pour des applications telles que les fumées de soudure provenant des fers à souder, des pots à souder, etc.

Un filtre principal à gaz à lit profond (charbon actif) est également disponible (FG-BVX250), conçu pour des applications telles que le nettoyage avec des solvants, le revêtement conforme, etc. (vendu séparément)



AVERTISSEMENT !

Consultez votre « service de sécurité » lorsque vous utilisez l'unité avec des gaz inflammables. Cette unité n'est pas antidéflagrante et ne peut être utilisée que pour l'extraction de vapeurs dont les niveaux de concentration sont bien inférieurs aux limites inférieures d'explosivité.

PRÉ-FILTRE

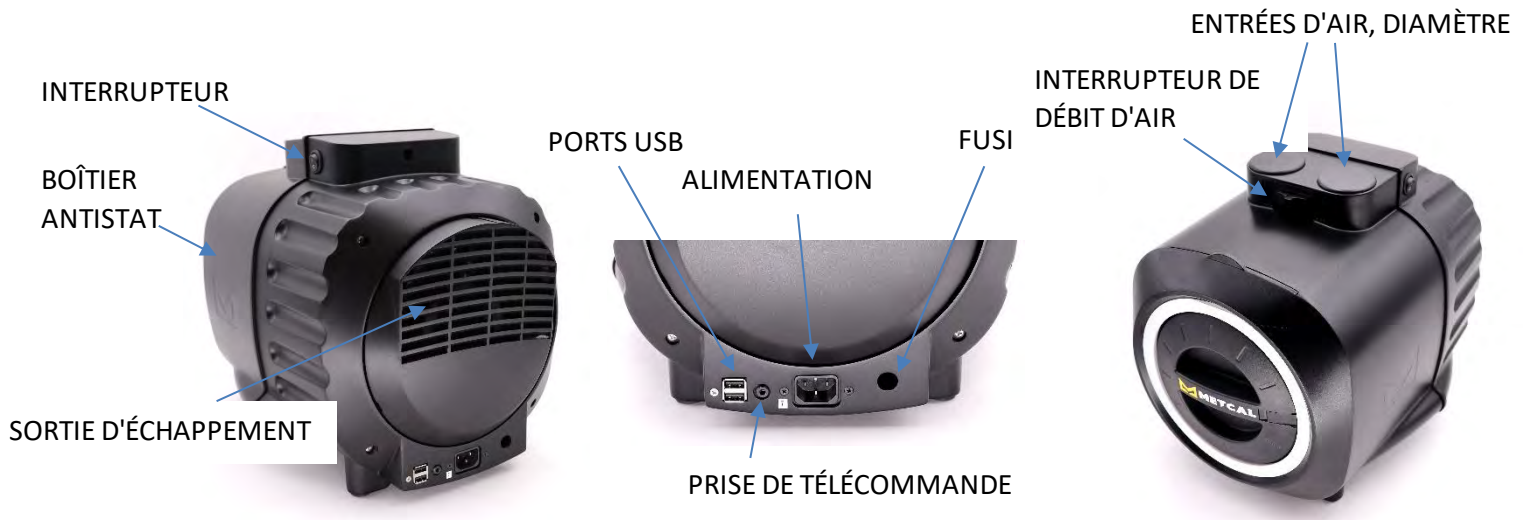


FILTRE



3. Description

3.1. Éléments fonctionnels et structure



Avertissement : N'insérez pas de périphériques audio dans la prise de télécommande.

Avertissement : Les ports USB sont utilisés pour la communication et le transfert de données ; ILS NE SONT PAS destinés à être utilisés comme chargeurs.

3.2. Principe de fonctionnement

L'élimination efficace des vapeurs dangereuses sur votre lieu de travail est un processus en deux étapes : le captage et la filtration des émanations. L'unité de filtration est fournie avec un ensemble de filtres déjà installés.

Pour capter les émanations, Metcal recommande l'utilisation de tuyaux/bras et d'accessoires en option (vendus séparément). Les tuyaux/bras doivent être correctement installés (instructions fournies avec les tuyaux/bras) et la buse doit être positionnée de manière à optimiser le captage des émanations.

L'air extrait de votre zone de travail sera purifié lorsqu'il passera à travers les filtres à l'intérieur de l'unité. Contactez votre représentant Metcal local si vous avez des questions concernant la sélection des filtres adaptés à votre application.

3.3. DEL multicolore circulaire d'état

Le BVX-250 est conçu avec une DEL multicolore circulaire d'état. La LED circulaire change de couleur en fonction du mode dans lequel se trouve l'unité ou en cas de problème avec l'un des filtres.

- **BLEU** : L'unité est sous tension, en mode de veille
- **VERT** : L'unité est sous tension et fonctionne normalement, elle extrait les émanations
- **ORANGE CLIGNOTANT** : Le préfiltre n'est pas installé correctement
- **ORANGE** : Le préfiltre doit être remplacé
- **ROUGE CLIGNOTANT** : Le filtre principal n'est pas installé correctement
- **ROUGE** : Le filtre principal doit être remplacé

Consultez la section 7.4 pour les procédures de remplacement des filtres.



3.4. Gestion de l'échappement de l'unité

L'échappement de l'unité peut être dirigé par le déflecteur rotatif attaché ou en connectant l'unité au système de ventilation de votre bâtiment.

Défecteur d'échappement rotatif à 360 degrés

Le BVX-250 est doté d'un déflecteur d'échappement rotatif à 360 degrés. L'air filtré provenant de l'unité peut être facilement évacué dans n'importe quelle direction. Il suffit de faire pivoter le déflecteur d'échappement pour orienter l'air comme désiré pour un confort maximal de l'opérateur.



Le déflecteur d'air réglable pivote à 360 degrés pour un confort maximal de l'opérateur.

Raccordement du BVX-250 aux systèmes de conduits

Le déflecteur rotatif peut être facilement retiré pour permettre un raccordement direct aux systèmes de ventilation du bâtiment grâce à l'adaptateur de conduit disponible.

- 1. Retirez le déflecteur :** Le déflecteur est maintenu sur l'unité par six (6) petites languettes. Insérez doucement un petit tournevis à tête plate dans la fente correspondant à la languette la plus haute. À l'aide de la tête du tournevis, appuyez légèrement sur la languette. Vous sentirez la languette se relâcher. Répétez ce processus jusqu'à ce que suffisamment de languettes aient été relâchées pour retirer le déflecteur.



- 2. Installez l'adaptateur de conduit :** Remplacez le déflecteur par l'adaptateur de conduit optionnel (AC-BVX250-DUCT). Il est fixé au BVX-250 à l'aide du même système de languettes que le déflecteur. Assurez-vous que l'adaptateur est bien ajusté.

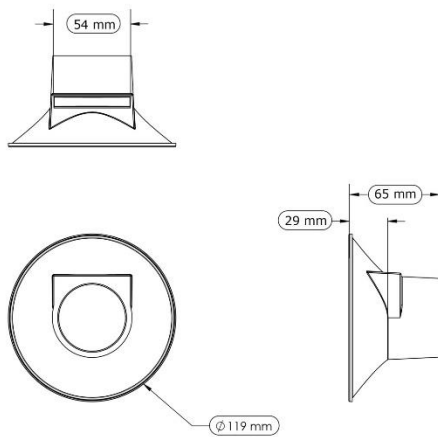


- 3. Fixez le conduit à l'adaptateur :** Fixez simplement un conduit standard de 7,6 cm (3 pouces) à l'adaptateur de conduit à l'aide d'un collier de serrage « à vis sans fin » réglable.

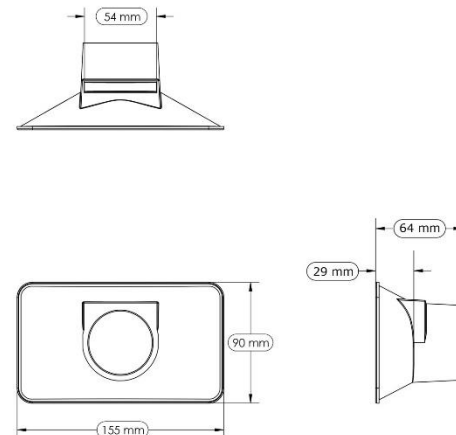


4. Donnees techniques

Debit d'air maximal, soufflage direct	297 m ³ /h (175 pi ³ /min)
Debit	2 x 75 m ³ /h (45 pi ³ /min)
Pression statique	1 743 Pa
Niveau sonore (approximatif)	50 dBA (sur le reglage moyen)
Tension	100 - 240 V c.a., monophasé
Frequence	50/60 Hz
Alimentation	150 watts
Conformite aux normes	UL & CSA, UKCA, KC, PSE, NOM, CE (ISO-14644), TUV
Dimensions (L x P x H) en mm	268 x 400 x 320
Dimensions (L x P x H) en pouces	26,7 x 40,6 x 33 cm (10,5 x 16 x 13 po)
Poids approximatif	5,5 kg (12 livres)



BVX-NOZC



BVX-NOZR

5. Installation

5.1 Déballage et configuration

Retirez le système d'extraction de fumée des matériaux d'emballage puis placez-le au sol, sous l'établi ou près de votre zone de travail où l'extraction des émanations est requise. Assurez-vous d'avoir accès à l'unité pour l'entretien des filtres.

Branchez le cordon d'alimentation de l'unité à l'entrée d'alimentation principale située à l'arrière du système. Branchez le cordon d'alimentation dans une prise murale mise à la terre.



Avertissement !

Pour vous protéger contre le risque d'électrocution, branchez le système uniquement à des prises correctement mises à la terre.

Raccordez l'unité aux tuyaux/bras (facultatifs) conformément aux instructions d'installation. Pour mettre le système sous tension, appuyez sur l'interrupteur situé en haut à droite de l'unité (« I » indique la position « Allumer »). L'opérateur peut s'attendre à un délai de quelques secondes avant d'entendre le ventilateur tourner. Cela est dû à la fonction de démarrage progressif intégrée au moteur.

Positionnez les bras/tuyaux pour optimiser le captage des émanations.

Suivez les procédures de maintenance ci-dessous.

Fixez la buse au tuyau

1. Connectez la buse au tuyau en la poussant jusqu'à ce qu'elle s'arrête.
2. Tournez la buse dans le sens des aiguilles d'une montre pour vous assurer qu'elle est bien fixée au tuyau.
3. Insérez le filtre dans la partie supérieure de la buse puis assurez-vous qu'il s'enclenche bien.
4. Insérez la buse et le tuyau assemblés dans l'entrée d'aspiration de l'unité d'extraction des émanations.



5.2 Eteindre le voyant DEL d'etat bleu (facultatif)

Certains utilisateurs du BVX-250 preferent eteindre le voyant DEL d'etat lorsque l' unite est en mode de veille.

Pour desactiver l'indicateur bleu d'etat du mode veille :

1. Assurez-vous que l' unite est eteinte.
2. Ouvrez le tiroir du prefiltrre.
3. Mettez l' unite sous tension.
4. Ouvrez et fermez doucement le tiroir du prefiltrre quatre fois, chaque cycle d' ouverture/fermeture dure environ une seconde chacun.
5. Assurez-vous que le tiroir du prefiltrre est completement ferme.



Le voyant d'etat bleu est maintenant desactiver et ne s'allume pas lorsque l' unite passe en mode de veille.

Pour reactiver le voyant d'etat bleu, il suffit de repeter les etapes ci-dessus.

6. Communication avec les systèmes de soudage ConnectionValidation™ (CV) et de la série GT

Le système d'extraction de fumée de la série BVX-250 peut communiquer avec un système de soudage Metcal CV ou GT connecté (Une mise à jour du microprogramme peut être nécessaire). Branchez simplement un câble USB-A vers USB-A entre le port USB du BVX-250 et le port USB de la station de soudage des séries CV ou GT.

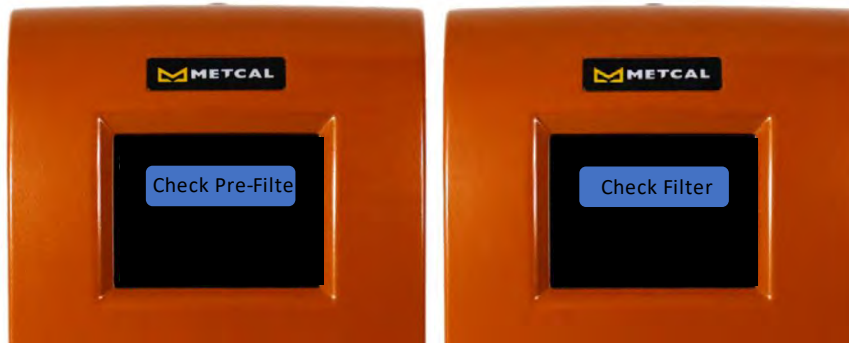
MODE DE VEILLE

Lorsque le BVX-250 est connecté à un système de soudage CV ou GT, il passe en mode de veille (indiqué par la DEL circulaire qui devient bleu) lorsque le système de soudage connecté est en mode veille. Le GT passe en mode d'inactif/veille lorsque la pièce à main ne bouge pas pendant une certaine durée (sélectionnable). Le CV passe en mode d'inactif/veille lorsque l'embout est dans le support. Si le BVX est connecté à deux systèmes de soudage, les deux systèmes doivent être en mode de veille pour déclencher le mode de veille sur le système d'extraction. Lorsque la station de soudage connectée n'est plus en mode d'inactif/de veille, l'unité BVX reprend l'extraction normale des émanations.

ALERTES À L'ÉCRAN

L'écran du système de soudage CV ou GT connecté affiche désormais les alertes envoyées par le système d'extraction des fumées qui correspondent aux messages transmis par la DEL circulaire:

- **PRÉFILTRE (DEL CIRCULAIRE ORANGE SOLIDE OU CLIGNOTANTE)** : Si le préfiltre doit être changé ou n'est pas installé correctement, une fenêtre contextuelle apparaît sur le système de soudage connecté.
- **FILTRE (DEL CIRCULAIRE ROUGE SOLIDE OU CLIGNOTANTE)** : Si le filtre principal est bloqué ou n'est pas installé correctement, une fenêtre contextuelle apparaît sur un système de soudage connecté.



7. Maintenance et nettoyage

a. Unité de filtration - Maintenance et sécurité

Le système d'extraction des émanations est conçu pour nécessiter peu d'entretien. Le boîtier est en plastique antistatique. Voici quelques conseils pour assurer le bon fonctionnement de votre système :

Pour nettoyer le système, utilisez un chiffon léger avec un nettoyant doux pour éviter l'accumulation de particules et de résidus de flux (assurez-vous que l'unité est éteinte durant le nettoyage).



Ne bloquez pas les sorties d'échappement ; cela provoquerait une augmentation de la température de fonctionnement du système, ce qui pourrait endommager l'unité et entraîner une baisse des performances.



Ne débranchez pas le commutateur de verrouillage du filtre. Le fonctionnement du système sans filtre permettra aux particules et aux résidus de flux d'adhérer au ventilateur, de réduire la durée de vie du système et d'augmenter le bruit.

Ne soulevez pas le système pendant qu'il fonctionne.



Veillez à manipuler les filtres avec soin.

b. Calendrier de remplacement des filtres

Filtre HEPA/anti-gaz

Lorsque les émanations sont filtrées à l'intérieur de l'unité, les particules capturées commencent à obstruer le filtre au fil du temps. Les grosses particules sont collectées dans le préfiltre tandis que les particules fines sont collectées dans le filtre HEPA. Toute obstruction entraînera une réduction du débit d'air, ce qui peut réduire le nombre d'émanations extraites de la zone de travail. Cette condition ne nécessite pas nécessairement le remplacement du filtre. L'une des étapes consiste à rapprocher les bras d'extraction optionnels de la zone de travail si possible. Si les émanations ne sont

plus extraites jusqu'au niveau de satisfaction précédent, ou lorsque la DEL passe au ROUGE ou à l'ORANGE, le remplacement du filtre est nécessaire. Consultez la section 7.4 pour les procédures de remplacement des filtres.



Avertissement !

N'essayez pas de nettoyer les filtres. Toute tentative de nettoyage peut endommager les filtres et entraîner des risques potentiels pour la santé et l'équipement.



Avis : Metcal recommande de remplacer les filtres principaux au moins une fois par an. Le remplacement régulier du préfiltre prolongera la durée de vie du filtre principal (HEPA/au charbon). N'utilisez que des filtres de rechange d'origine.

Filtre anti-gaz à lit profond optionnel

Les filtres anti-gaz à lit profond ne se bouchent généralement pas et ne réduisent pas le débit d'air, comme c'est souvent le cas⁶ avec les filtres HEPA. Remplacez les filtres (le préfiltre et le filtre à charbon) dès que des odeurs deviennent perceptibles.



Avis : Remplacez les filtres au moins tous les 6 mois, car la plupart des matériaux filtrants les gaz sont saturés par l'absorption de l'humidité de l'air ambiant. **N'utilisez que des filtres de rechange d'origine.**

c. Verrouillage de sécurité

L'interrupteur de sécurité est un dispositif de verrouillage qui désactive le moteur du ventilateur lorsque le filtre principal est retiré, laissant ainsi apparaître l'ouverture d'entrée du ventilateur. L'interrupteur de sécurité empêche également le système de fonctionner sans les filtres, ce qui permettrait aux impuretés de contaminer l'unité interne.



EMPLACEMENT DE L'INTERRUPTEUR DE SÉCURITÉ



AVERTISSEMENT !

Ne contournez pas le verrouillage de sécurité. Le contournement du dispositif de sécurité peut entraîner des blessures.

d. Procédure de remplacement de filtre :

1. Éteignez l'unité.
2. Débranchez le cordon d'alimentation.
3. Retirez puis remplacez le préfiltre (consultez l'illustration ci-dessous).
4. Retirez puis remplacez le filtre principal (consultez l'illustration ci-dessous).
5. Réinsérez le filtre en alignant le point blanc sur le support du filtre avec le point blanc en haut de l'ouverture. Faites glisser le filtre en place.

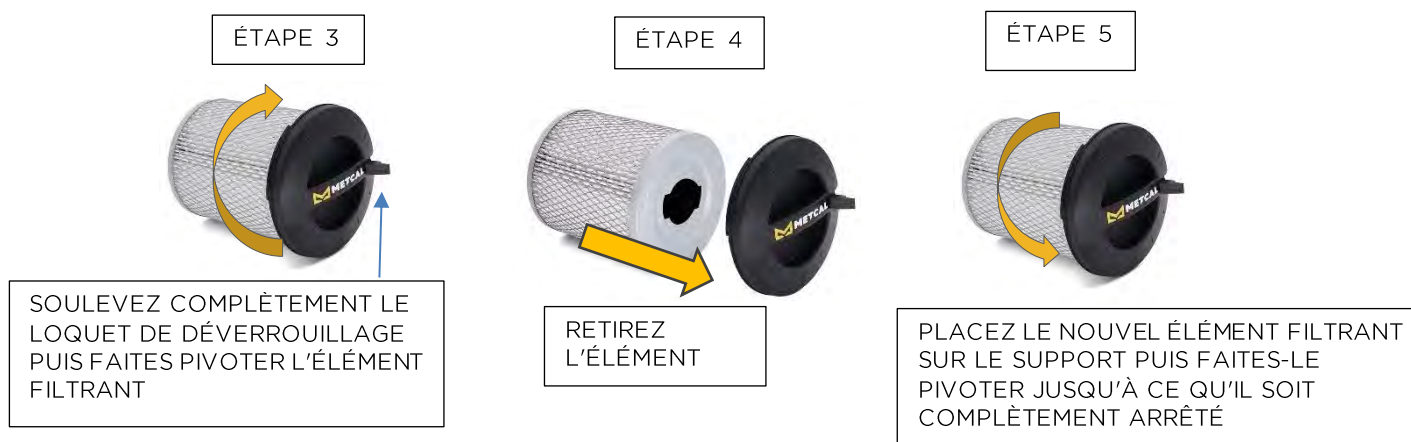
6. Fixez le support du filtre en le tournant de 90 degrés dans le sens des aiguilles d'une montre. *Le logo Metcal doit être placé du côté droit vers le haut et parallèle au sol.*
7. Rebranchez le cordon d'alimentation puis mettez le système sous tension.
8. Si l'unité ne fonctionne pas, reportez-vous à la section Dépannage.



Avis : Utilisez toujours des filtres de rechange neufs !



RETRAIT DU FILTRE DU SUPPORT



ÉTAPE 6



POUSSEZ LE LOQUET VERS LE BAS POUR VOUS ASSURER QUE L'ÉLÉMENT FILTRANT EST BIEN EN PLACE

ÉTAPE 7



ÉTAPE 8



e. Élimination des filtres

Le filtre anti-gaz collecte certaines matières organiques et des précautions peuvent être nécessaires lors de l'élimination. Le filtre peut contenir des substances toxiques et l'inhalation de particules de poussière ou l'exposition à la peau doivent être évitées. Veuillez consulter les fiches signalétiques du matériel utilisé dans votre établissement et suivre les instructions de manipulation prescrites.

8. Dépannage

	Cause possible	Vérification et correction
Pas de débit d'air	Aucune alimentation	Vérifiez l'interrupteur d'alimentation Vérifiez la prise secteur Vérifiez le cordon d'alimentation Vérifiez qu'un filtre est présent Vérifiez l'interrupteurs de sécurité
Faible débit d'air	Fuite d'air	Vérifiez s'il y a des fuites dans le tuyau ou le bras Vérifiez si le tuyau ou le bras sont correctement installés Vérifiez si le tuyau ou le bras ne sont pas partiellement obstrués
Le moteur ne tourne pas et la DEL est ROUGE	Le filtre principal n'est pas inséré ou pas complètement inséré	Placez le filtre principal dans l'unité puis appuyez, assurez-vous qu'il est complètement inséré
Le moteur ne fonctionne pas et la DEL est ORANGE	Le préfiltre n'est pas inséré ou pas complètement inséré	Placez le préfiltre dans l'unité puis assurez-vous qu'il est complètement inséré
Le moteur fonctionne et la DEL est ROUGE	Le filtre principal doit être changé	Changez le filtre principal conformément à la section 7.4
Le moteur fonctionne et la DEL est ORANGE	Le préfiltre doit être remplacé	Changez le préfiltre conformément à la section 7.4

La DEL de blocage de filtre du BVX-250 est étalonné en usine pour un débit d'air spécifique.

3. Assemblez le BVX-250 conformément au guide de l'utilisateur. L'interrupteur principal et la télécommande (le cas échéant) doivent être en position « Off ».
4. Allumez l'unité principale puis appuyez sur l'interrupteur de la télécommande. La DEL de la télécommande s'allume lorsqu'elle est alimentée. L'unité fonctionnera et la DEL de l'unité BVX-250 passe au VERT.



Pendant la période de garantie, l'unité ne peut être réparée que par un représentant agréé de Metcal.

9. Numéros de pièce

Systemes

BVX-250	Unité, filtre HEPA 13/anti-gaz et préfiltre (bras vendus séparément)
BVX-250-KIT	Unité, filtre HEPA 13/anti-gaz, préfiltre et (1) BVX-ARML, (1) BVX-NOZR, (1) BVX-NOZC (comprend des buses rectangulaires et circulaires, des filtres à buses)

Filtres

FP-BVX250	Préfiltres (lot de 5)
FM-BVX250	Filtre principal, HEPA 13/anti-gaz/au charbon
FG-BVX250	Filtre principal anti-gaz/au charbon à lit profond
FN-BVX	Filtre de rechange pour buses BVX-NOZR et BVX-NOZC (lot de 5)

Buses

BVX-NOZR	Buse rectangulaire pour systèmes BVX, antistatique
BVX-NOZC	Buse circulaire pour systèmes BVX, antistatique
BVX-NOZ1	Buse sabot pour systèmes BVX, antistatique

Kits de bras et accessoires

BVX-ARM-K1	Bras flexible de 61 cm (2,5 pieds), tuyau de 1,8 m (6 pieds), support de table et colliers, antistatique
BVX-ARM	Bras flexible de 0,8 m (2,5 pi), diamètre de 5 cm (2 po), antistatique
BVX-ARML	Bras flexible de 1,5 m (5 pi), diamètre de 5 cm (2 po), antistatique
BVX-CH01	Tuyau de raccordement BVX de 1,8 m (6 pieds), diamètre de 5 cm (2 po), antistatique
BVX-CH02	Tuyau de raccordement BVX de 3,7 m (12 pieds), diamètre de 5 cm (2 po), antistatique
AC-BVX250-DUCT	Adaptateur pour conduit direct du BVX-250 vers les systèmes de ventilation
AC-BVX250-OMNI	Adaptateur BVX-250 pour bras Omniflex
RPS-1	Interrupteur d'alimentation à distance de rechange pour la série BVX-200
BVX-TB01	Support de table BVX avec 2 colliers en C

10. Garantie

Visitez le site Web de Metcal (www.metcal.com) où vous trouverez des informations disponibles sur les systèmes, les accessoires, les notes techniques, etc. Vous pouvez également contacter votre représentant local pour connaître les prix et la disponibilité.

Metcal garantit la série BVX-250 contre tout défaut de matériaux ou de fabrication pendant un (1) an à compter de la date d'achat par le propriétaire d'origine. Cette garantie exclut l'entretien normal et ne s'applique pas aux articles ouverts, mal utilisés, abusés, modifiés ou endommagés. Si le produit devait devenir défectueux pendant la période de garantie, Metcal le réparera ou le remplacera gratuitement à sa seule discrétion. Les articles réparés ou de remplacement seront expédiés, frais de port prépayés, à l'acheteur d'origine. La période de garantie commencera à compter de la date d'achat. Si la date d'achat ne peut être justifiée, la date de fabrication sera utilisée comme point de départ de la période de garantie.

Pour la réparation ou le retour d'une unité, un numéro d'autorisation de retour de matériel (numéro RMA) doit être obtenu.

Amériques

OK International
10800 Valley View Street
Cypress, CA 90630, États-Unis
(714) 799-9910
na-custcare@okininternational.com

Europe

OK International
Eagle Close
Chandler's Ford Ind Est
Eastleigh, Hampshire
SO53 4NF, Royaume-Uni
Anglais : +44 2380 489 100
Français : +33 176 710 403
Allemand : +49 711 959 69 744
europe@okininternational.com

Asie

OK International
4th floor East, Electronic Building,
Zone industrielle de Yanxiang
High Tech Road
Guangming New District, Shenzhen P.R.C
+86-755-2327 6366
china@okininternational.com



BVX-250

Rauchabsaugsystem für zwei Stationen

Betriebsanleitung & Benutzerhandbuch

Herzlichen Glückwunsch zum Kauf des Rauchabsaugsystems BVX-250. Es schützt Sie vor gefährlichen und reizenden Stoffen in der Luft Ihres Arbeitsbereichs. Es wurde unter Anwendung höchster Qualitätsstandards entwickelt und hergestellt. Vielen Dank, dass Sie sich für das Rauchabsaugsystem BVX-250 von Metcal entschieden haben.

Dieses Dokument beschreibt Einrichtung, Betrieb und Wartung Ihres Systems. Bitte lesen sie es sorgfältig durch, um höchstmögliche Leistung und Sicherheit zu gewährleisten.

Inhalt

1. Sicherheitshinweise	42
2. Auspacken und Prüfung.....	43
3. Beschreibung.....	45
4. Technische Daten.....	49
5. Installation.....	50
6. Kommunikation mit Lötstationen vom Typ ConnectionValidation™ (CV) und GT.....	52
7. Wartung und Reinigung.....	53
8. Problembehebung.....	57
9. Teilenummern.....	58
10. Garantie.....	59

Hier finden Sie die Schnellanleitung zum BVX-250

<https://bit.ly/Metcal-BVX-250-Quick-Start-Guide>

1. Sicherheitshinweise

1.1. Sicherheitssymbole



Warnung!

Bezieht sich auf Sicherheitsvorschriften und erforderliche Sicherheitsmaßnahmen, die den Bediener oder andere Personen vor Verletzungen schützen.

Vorsicht!

Erläutert, was getan oder vermieden werden muss, damit das Gerät und andere Objekte nicht beschädigt werden.



Hinweis:

Empfehlungen für eine bessere Handhabung des Geräts während des Betriebs, der Einstellung und Wartungsmaßnahmen.

1.2. Sicherheitswarnungen



WARNUNG!

Lesen Sie diese Anweisungen vollständig durch, um einen sicheren und erfolgreichen Betrieb des Geräts zu gewährleisten. Bei Nichtbeachtung der Hinweise übernimmt der Hersteller keine Haftung. Bewahren Sie dieses Handbuch auf, um später darin nachschlagen zu können.



WARNUNG!

Wenden Sie sich an Ihre Sicherheitsabteilung, wenn Sie das Gerät in Bereichen mit brennbaren Gasen verwenden. Dieses Gerät ist nicht explosionsgeschützt und darf **nur** zum Absaugen von Dämpfen verwendet werden, deren Konzentration deutlich unter den unteren Explosionsgrenzwerten liegt.



WARNUNG!

Verwenden Sie das Gerät nicht zum Absaugen ätzender Substanzen.

WARNUNG!

Setzen Sie das Verbindungskabel keinesfalls Hitze, Öl oder scharfen Kanten aus.



WARNUNG!

Stellen Sie sicher, dass das Gerät stabil und sicher steht.

WARNUNG!

Verwenden Sie nur Originalfilter.

WARNUNG!

Betreiben Sie das Gerät nicht ohne Filtereinsätze. Verunreinigungen in der Absaugluft beschädigen das Gebläse.



WARNUNG!

Trennen Sie das Gerät vor der Wartung immer von der Stromversorgung.

WARNUNG!

Die Auslassöffnungen dürfen niemals abgedeckt sein.



WARNUNG!

Die Lufteinlassöffnungen dürfen niemals alle gleichzeitig abgedeckt sein.

Ausnahme: Beim Betrieb mit nur einer Station darf eine Öffnung verschlossen sein.

WARNUNG!

Dieses System ist mit einem automatischen Reset-Überlastschutz ausgestattet, der einen automatischen Neustart des Geräts auslösen kann.



WARNUNG!

Beachten Sie die allgemeinen Sicherheitsvorschriften für den Umgang mit Chemikalien wie Kleb- und Dichtstoffen. Beachten Sie die Anweisungen des Herstellers im Sicherheitsdatenblatt (MSDS).

2. Auspacken und Prüfung

Packen Sie das Rauchabsaugsystem vorsichtig aus und untersuchen Sie die Objekte im Karton. Untersuchen Sie das Gerät auf Transportschäden. Wenn ein solcher Schaden vorliegt, benachrichtigen Sie sofort den Spediteur.

Schadensersatzansprüche müssen vom Empfänger beim Spediteur geltend gemacht und dem Hersteller gemeldet werden.

2.1. Lieferumfang

- 2 Filter (Vor- und Hauptfilter) sind im Gerät installiert
- 1 Start-/Stoppschalter (Fernschalter)
- 1 Netzkabel
- 1 Betriebsanleitung



2.2. Funktionen

- Filter austauschen, ohne Schläuche entfernen zu müssen
- LED-Statusring mit Farbcodierung
- HEPA 13-Abscheidegrad 99,97 %
- Optionaler Tiefbettfilter (separat erhältlich)
- Kann an Schläuche und Arme mit Durchmesser 50 mm (2“) angeschlossen werden
- Ein-/Ausschalter mit „Soft-Start“-Funktion
- Einstellbarer Luftstrom – Drei Luftstromoptionen (Hoch, Mittel, & Niedrig)
- Starker Luftstrom und intensive Saugleistung
- Leicht, transportabel und kompakt
- ESD-geschütztes Gehäuse
- UL & CSA, UKCA, KC, PSE, NOM, CE (ISO-14644)
- RoHS/REACH
- Nur für den Gebrauch in Innenräumen geeignet
- Geeignet für Arbeitstemperaturen von 0 °C bis 40 °C
- Geeignet für den Einsatz in Höhen zwischen 0 m und 2.000 m
- Verschmutzungsgrad 2

2.3. Verwendung

Das Rauchabsaugsystem ist ein transportables Filtersystem, für zwei Stationen zur Entfernung von Qualm, leichten Stäuben und Dämpfen im Arbeitsbereich. Das beiliegende Filterset hängt vom Modell ab.

Im Lieferumfang des BVX-250 sind ein Vorfilter und ein Hauptfilter enthalten. Der Hauptfilter ist ein HEPA-/Gas-Kombinationsfilter aus einem HEPA 13-Filter mit einem Abscheidegrad von 99,97 % bei 0,3 Mikron und einem Aktivkohlefilter. Dieses Modell ist für Anwendungen wie das Absaugen von Lötdämpfen von Lötkolben, Löttöpfen usw. konzipiert.

Darüber hinaus ist ein Tiefbett-Hauptgasfilter (Aktivkohle) erhältlich (FG-BVX250). Dieser ist für das Absaugen von Dämpfen bei Reinigungsaktivitäten mit Lösungsmitteln, Schutzbeschichtungen usw. konzipiert. (Separat erhältlich)



WARNUNG!

Wenden Sie sich an Ihre Sicherheitsabteilung, wenn Sie das Gerät in Bereichen mit brennbaren Gasen verwenden. Dieses Gerät ist nicht explosionsgeschützt und darf nur zum Absaugen von Dämpfen verwendet werden, deren Konzentration deutlich unter den unteren Explosionsgrenzwerten liegt.

VORFILTER

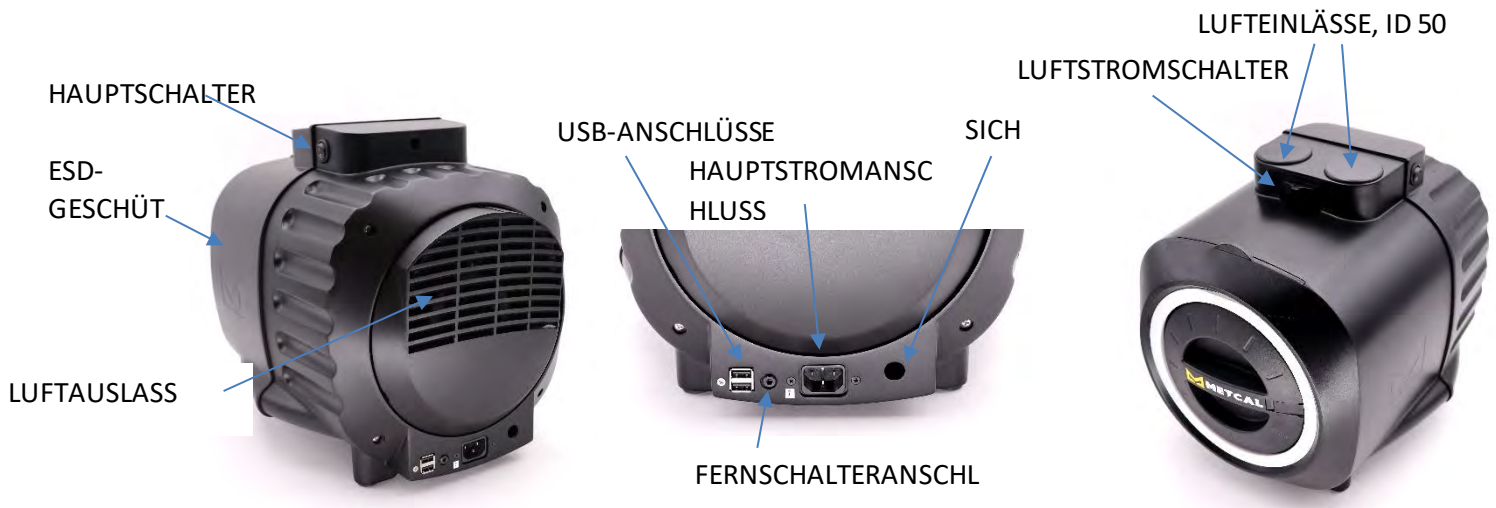


HAUPTFILTE



3. Beschreibung

3.1. Bedienelemente und Aufbau



Warnung: Stecken Sie keine Audiogeräte in den Fernschalteranschluss ein.
Warnung: Die USB-Anschlüsse dienen nur zur Kommunikation und Datenübertragung. Sie sind NICHT als Ladegerät vorgesehen.

3.2. Funktionsweise

Die effiziente Entfernung gefährlicher Dämpfe in Ihrem Arbeitsbereich erfolgt in zwei Schritten: Absaugen und Filtern. Die Filtereinheit ist bereits mit einem Filtersatz versehen.

Metcal empfiehlt, zum Absaugen von Dämpfen die optionalen Schläuche/Arme und Zubehör (separat erhältlich) zu verwenden. Die Schläuche/Arme müssen ordnungsgemäß angeschlossen werden (siehe beiliegende Anleitungen zu den Schläuchen/Armen) und die Düse muss so positioniert werden, dass die Absaugung so optimal wie möglich erfolgt.

Die aus Ihrem Arbeitsbereich abgesaugte Luft wird gereinigt, wenn sie durch die Filter im Gerät strömt. Wenden Sie sich an Ihren lokalen Metcal-Vertreter, um zu erfahren, welche Filter für Ihre Anwendung geeignet sind.

3.3.LED-Statusring mit Farbcodierung

Das BVX-250 verfügt über einen LED-Statusring mit Farbcodierung. Der LED-Statusring zeigt durch seine Farbe an, in welchem Modus sich das Gerät befindet oder ob ein Problem mit einem Filter besteht.

- **BLAU:** Das Gerät ist eingeschaltet und befindet sich im Ruhezustand
- **GRÜN:** Das Gerät ist eingeschaltet, arbeitet normal und saugt Dämpfe ab
- **BLINKT ORANGE:** Der Vorfilter ist nicht richtig installiert
- **ORANGE:** Der Vorfilter muss ausgetauscht werden
- **BLINKT ROT:** Der Hauptfilter ist nicht richtig installiert
- **ROT:** Der Hauptfilter muss ausgetauscht werden

Informationen zum Filterwechsel finden Sie in Abschnitt 7.4.



3.4.Abluft

Die Abluft des Geräts kann durch den angebrachten drehbaren Umleiter abgerührt werden. Alternativ können Sie das Gerät an das Lüftungssystem Ihres Gebäudes anschließen.

Drehbarer 360-Grad-Abluftumleiter

Der Abluftumleiter des BVX-250 ist um 360 Grad drehbar. Dadurch können Sie die vom Gerät kommende gefilterte Luft problemlos in jede beliebige Richtung abführen. Drehen Sie einfach den Abluftumleiter, um den Abluftstrom wie gewünscht auszurichten und maximalen Bedienkomf



Der verstellbare Abluftumleiter kann für maximalen Bedienkomfort um 360 Grad gedreht werden.

BVX-250 an Gebäudelüftungssystem anschließen

Sie können den drehbaren Abluftumleiter einfach entfernen, um die Abluft über den Leitungsadapter direkt in das Lüftungssystem Ihres Gebäudes abzuführen.

- 1. Abluftumleiter entfernen:** Der Umleiter wird durch sechs (6) kleine Halterungen am Gerät befestigt. Stecken Sie vorsichtig einen kleinen Schlitzschraubendreher in den Schlitz der obersten Halterung. Drücken Sie die Halterung mit dem Kopf des Schraubendrehers leicht nach unten. Sie spüren, wie sich die Halterung löst. Wiederholen Sie diesen Vorgang, bis Sie genügend Halterungen gelöst haben, um den Abluftumleiter zu entfernen.



- 2. Leitungsadapter installieren:** Ersetzen Sie den Umleiter durch den optionalen Leitungsadapter (AC-BVX250-DUCT). Es wird mit demselben Befestigungssystem am BVX-250 befestigt wie der Abluftumleiter. Der Adapter muss dicht am Gerät anliegen.

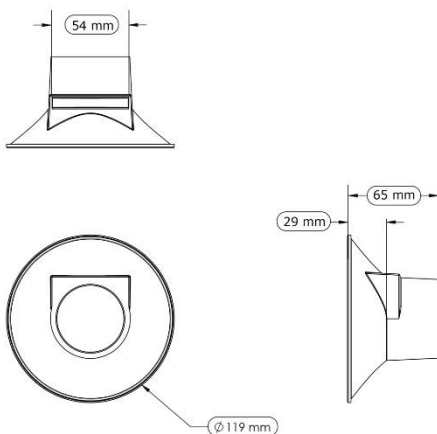


- 3. Leitung am Adapter befestigen:** Befestigen Sie einfach eine 3"-Standardrohrleitung mit einer verstellbaren Rohrschelle mit Schneckengewinde am Leitungsadapter.

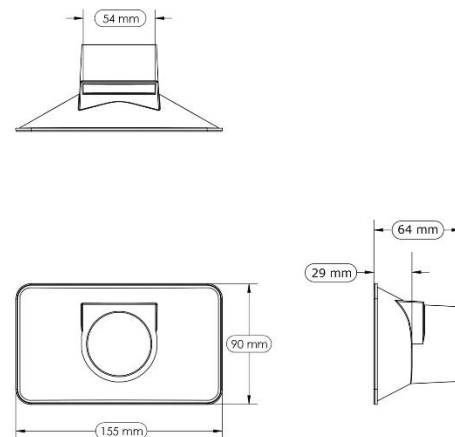


4. Technische Daten

Max. Luftdurchfluss, bei voll geöffnetem Ein- und Auslass	297 m ³ /h (175 cfm)
Durchflussrate	2 x 75 m ³ /h (45 cfm)
Statischer Druck	1743 Pa
Lautstärke (ca.)	50 dBA (bei mittlerer Einstellung)
Spannung	100 - 240 V AC, 1 Phase
Frequenz	50/60 Hz
Leistung	150 Watt
Erfüllte Sicherheitsstandards	UL & CSA, UKCA, KC, PSE, NOM, CE (ISO-14644), TÜV
Abmessungen B/T/H in mm	268 x 400 x 320
Abmessungen B/T/H in Zoll	10,5" x 16" x 13"
Gewicht (ca.)	5,5 kg (12 lbs.)



BVX-NOZC



BVX-NOZR

5. Installation

5.1 Inbetriebnahme

Nehmen Sie das Rauchabsaugsystem aus der Verpackung und stellen Sie es auf den Boden unter der Werkbank oder in die Nähe des Arbeitsbereichs, in dem eine Absaugung erforderlich ist. Stellen Sie sicher, dass Sie das Gerät gut erreichen können, wenn Sie Filter warten müssen.

Schließen Sie das Netzkabel an den Hauptstromanschluss auf der Rückseite des Systems an. Stecken Sie das Netzkabel in eine geerdete Wandsteckdose ein.



Warnung!

Zum Schutz vor Stromschlägen nur an korrekt geerdete Steckdosen anschließen.

Schließen Sie das Gerät an (optionale) Schläuche/Arme an, wie in der Installationsanleitung beschrieben. Drücken Sie auf den Hauptschalter oben rechts am Gerät, um das System einzuschalten („I“ steht für „Ein“). Es dauert einige Sekunden, bis der Lüfter anläuft. Ursache ist die eingebaute „Soft-Start“-Funktion des Motors.

Positionieren Sie die Arme/Schläuche so, dass die Absaugung so optimal wie möglich erfolgt. Führen Sie die unten stehenden Wartungsmaßnahmen durch.

Düse am Schlauch befestigen

1. Verbinden Sie die Düse mit dem Schlauch, indem Sie sie bis zum Anschlag hineindrücken.
2. Drehen Sie die Düse im Uhrzeigersinn, um sicherzustellen, dass die Düse fest am Schlauch befestigt ist.
3. Setzen Sie den Düsenfilter in die Oberseite der Düse ein und achten Sie darauf, dass er einrastet.
4. Stecken Sie die montierte Düse und den Schlauch in den Lufteinlass des Rauchabsaugsystems ein.



5.2 Blaue LED-Statusanzeige ausschalten (optional)

Einige Benutzer des BVX-250 möchten die blaue LED-Anzeige ausschalten, wenn sich das Gerät im Ruhezustand befindet.

So schalten Sie die blaue Statusanzeige im Ruhezustand aus:

1. Vergewissern Sie sich, dass das Gerät ausgeschaltet ist.
2. Öffnen Sie das Vorfilterfach.
3. Schalten Sie das Gerät ein.
4. Öffnen und schließen Sie das Vorfilterfach vorsichtig viermal. Jeder Öffnungs-/Schließvorgang sollte jeweils etwa eine Sekunde dauern.
5. Vergewissern Sie sich, dass das Vorfilterfach vollständig geschlossen ist.



Die blaue LED-Statusanzeige ist jetzt ausgeschaltet und schaltet sich nicht ein, wenn das Gerät in den Ruhezustand wechselt.

Um die blaue LED-Statusanzeige wieder einzuschalten, wiederholen Sie einfach die oben beschriebenen Schritte.

6. Kommunikation mit Lötstationen vom Typ ConnectionValidation™ (CV) und GT

Das Rauchabsaugsystem BVX-250 kann mit angeschlossenen Metcal-Lötstationen der Serien CV und GT kommunizieren. (Eventuell ist hierzu ein Firmware-Update erforderlich)

Verbinden Sie einfach den USB-Anschluss des BVX-250 mit einem USB-A-auf-USB-A-Kabel mit dem USB-Anschluss der CV- oder GT-Lötstation.

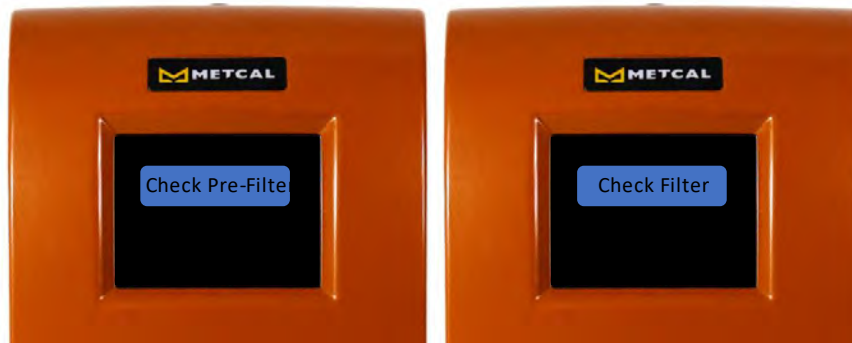
RUHEZUSTAND

Wenn das BVX-250 an eine CV- oder GT-Lötstation angeschlossen ist, wechselt es in den Ruhezustand (der LED-Ring leuchtet blau), wenn sich das angeschlossene Lötssystem im Ruhezustand befindet. Eine GT-Station wechselt in den Ruhezustand, wenn das Handstück eine festgelegte Zeitspanne lang nicht bewegt wird (auswählbar). Eine CV-Station wechselt in den Ruhezustand, wenn sich die Spitze im Ruhezustand befindet. Wenn das BVX an zwei Lötstationen angeschlossen ist, wechselt das Absaugsystem nur in den Ruhezustand, wenn sich auch beide Stationen im Ruhezustand befinden. Wenn sich die angeschlossene Lötstation nicht mehr im Ruhezustand befindet, nimmt das BVX die normale Absaugtätigkeit wieder auf.

BILDSCHIRMWARNUNGEN

Auf dem Bildschirm der angeschlossenen CV- oder GT-Lötstation werden nun Warnmeldungen angezeigt, die vom Rauchabsaugsystem gesendet wurden und den Meldungen des LED-Statusrings entsprechen:

- **VORFILTER (LED-RING ORANGE – STETIG ODER BLINKEND):** Wenn der Vorfilter gewechselt werden muss oder nicht korrekt installiert ist, erscheint auf der angeschlossenen Lötstation eine Popup-Meldung.
- **FILTER (LED-RING ROT – STETIG ODER BLINKEND):** Wenn der Hauptfilter blockiert oder nicht korrekt installiert ist, erscheint auf der angeschlossenen Lötstation eine Popup-Meldung.



7. Wartung und Reinigung

7.1. Filtereinheit – Wartung und Sicherheit

Das Rauchabsaugsystem wurde für möglichst geringen Wartungsaufwand konzipiert. Das Gehäuse besteht aus ESD-geschütztem Kunststoff. Hier sind ein paar Tipps, um Ihr System in Topform zu erhalten:

Reinigen Sie das Gerät mit einem weichen Tuch mit einem milden Reinigungsmittel, um die Ansammlung von Partikeln und Flussmittelrückständen zu verhindern (schalten Sie das Gerät während der Reinigung aus).



Verdecken Sie die Auslassöffnungen nicht. Dadurch steigt die Betriebstemperatur im System an, was das Gerät beschädigen und die Leistung mindern kann.



Lassen Sie den Filter immer verriegelt. Wenn das System ohne Filter betrieben wird, können Partikel und Flussmittelrückstände am Gebläse haften bleiben, was die Lebensdauer des Systems verkürzt und den Geräuschpegel erhöht.

Heben Sie das System während des Betriebs nicht an.



Gehen Sie vorsichtig mit den Filtern um.

7.2. Zeitpunkt des Filterwechsels

HEPA-/Gasfilter

Wenn Dämpfe im Gerät gefiltert werden, verstopfen die aufgefangenen Partikel den Filter mit der Zeit. Die groben Partikel werden im Vorfilter gesammelt, während die feinen Partikel im HEPA-Filter gesammelt werden. Die Verstopfung verringert den Luftstrom, sodass weniger Dämpfe aus dem Arbeitsbereich abgesaugt werden können. In diesem Zustand muss der Filter noch nicht zwangsläufig ausgetauscht werden. Alternativ können Sie die optionalen Absaugarme auch näher an den Absaugbereich heranzuführen, um Abhilfe zu schaffen. Wenn die Dämpfe nicht mehr zufriedenstellend abgesaugt werden oder wenn der LED-Statusring auf ROT oder

ORANGE wechselt, muss der Filter ausgetauscht werden. Informationen zum Filterwechsel finden Sie in Abschnitt 7.4.



Warnung!

Versuchen Sie nicht, die Filter zu reinigen. Ein Reinigungsversuch kann die Filter beschädigen und ein potenzielles Risiko für Gesundheit und Ausrüstung darstellen.



Hinweis: Metcal empfiehlt, die Hauptfilter mindestens einmal jährlich auszutauschen. Ein regelmäßiger Austausch des Vorfilters verlängert die Lebensdauer des Hauptfilters (HEPA/Kohle). Verwenden Sie nur Originalfilter.

Optionaler Tiefbett-Gasfilter 6

Bei Tiefbett-Gasfiltern kommt es in der Regel nicht zu Verstopfungen und verminderten Luftströmen, wie es bei HEPA-Filtern häufig passiert. Tauschen Sie beide Filter, den Vorfilter und den Kohlefilter aus, wenn Gerüche auftreten.



Hinweis: Tauschen Sie die Filter mindestens alle 6 Monate aus, da die meisten Gasfiltermedien mit der Zeit durch Feuchtigkeit aus der Umgebungsluft gesättigt werden. **Verwenden Sie nur Originalfilter.**

7.3. Sicherheitsverriegelung

Die Sicherheitsverriegelung ist ein Schalter, der den Lüftermotor ausschaltet, wenn der Hauptfilter entfernt wird und dadurch die Lufteinlassöffnung ungeschützt ist. Dieser Sicherheitsschalter verhindert auch, dass das System ohne Filter betrieben und das Innere des Systems verunreinigt wird.



SICHERHEITSVERRIEGELUNG



WARNUNG!

Umgehen Sie die Sicherheitsverriegelung nicht. Das Umgehen der Sicherheitsverriegelung kann zu Verletzungen führen.

7.4. Filter austauschen:

1. Schalten Sie das Gerät aus.
2. Trennen Sie das Netzkabel von der Stromversorgung.
3. Entfernen Sie den alten Vorfilter und setzen Sie einen neuen ein (siehe Abbildung unten).
4. Entfernen Sie den alten Hauptfilter und setzen Sie einen neuen ein (siehe Abbildung unten).

5. Setzen Sie den Filter wieder ein, indem Sie den weißen Punkt auf dem Filterhalter mit dem weißen Punkt oben an der Öffnung ausrichten. Schieben Sie den Filter an seinen Platz.
6. Sichern Sie die Filterhalterung, indem Sie sie um 90 Grad im Uhrzeigersinn drehen. *Das Metcal-Logo sollte richtig herum lesbar sein und parallel zum Boden zeigen.*
7. Schließen Sie das Netzkabel wieder an und schalten Sie das System ein.
8. Wenn das Gerät nicht funktioniert, lesen Sie den Abschnitt Fehlerbehebung.



Hinweis: Verwenden Sie stets neue Ersatzfilter!



FILTER AUS DER HALTERUNG ENTNEMMEN





7.5. Filter entsorgen

Im Gasfilter sammeln sich organische Materialien und bei der Entsorgung kann Vorsicht geboten sein. Der Filter kann giftige Stoffe enthalten. Atmen Sie keine Staubpartikel ein und vermeiden Sie Hautkontakt. Bitte lesen Sie die Sicherheitsdatenblätter der in Ihrer Einrichtung verwendeten Materialien und befolgen Sie die vorgeschriebenen Anweisungen zur Handhabung.

8. Problembesehung

	Mögliche Ursache	Prüfung und Korrektur
Kein Luftstrom	Kein Strom	Ein-/Ausschalter prüfen Steckdose prüfen Netzkabel prüfen Filter prüfen Sicherheitsverriegelung prüfen
Geringer Luftstrom	Leck in Luftleitung	Schlauch/Arm auf Undichtigkeiten prüfen Schlauch/Arm auf korrekte Installation prüfen Schlauch/Arm auf teilweise Verstopfung prüfen
Motor läuft nicht und LED-Ring ist ROT	Hauptfilter ist nicht oder nicht vollständig eingesetzt	Hauptfilter in das Gerät einsetzen und hineindrücken, sodass er vollständig eingesetzt ist
Motor läuft nicht und LED-Ring ist ORANGE	Vorfilter ist nicht oder nicht vollständig eingesetzt	Vorfilter in das Gerät einsetzen und sicherstellen, dass er vollständig eingesetzt ist
Motor läuft und LED-Ring ist ROT	Hauptfilter muss ausgetauscht werden	Hauptfilter austauschen wie unter 7.4 beschrieben
Motor läuft und LED-Ring ist ORANGE	Vorfilter muss ausgetauscht werden	Vorfilter austauschen wie unter 7.4 beschrieben

Die LED-Anzeige, die Filterblockaden im BVX-250 anzeigt, ist werkseitig auf einen bestimmten Luftstrom kalibriert.

5. Setzen Sie den BVX-250 zusammen wie im Benutzerhandbuch beschrieben. Sowohl der Hauptschalter als auch der Fernschalter (falls verwendet) sollten sich in der Position „Aus“ befinden.
6. Schalten Sie das Hauptgerät ein und drücken Sie auf den Fernschalter. Die LED des Fernschalters leuchtet, wenn er eingeschaltet ist. Das Gerät läuft und die LED-Anzeige des BVX-250 leuchtet GRÜN.



Während der Garantiezeit darf das Gerät nur von autorisierten Metcal-Kundendienstmitarbeitern repariert werden.

9. Teilenummern

Systeme

BVX-250	Gerät, & HEPA 13-/Gasfilter & Vorfilter (Arme separat erhältlich)
BVX-250-KIT	Gerät, & HEPA 13-/Gasfilter & Vorfilter und (1) BVX-ARML, (1) BVX-NOZR, (1) BVX-NOZC (umfasst rechteckige und runde Düsen, Düsenfilter)

Filter

FP-BVX250	Vorfilter (5er-Pack)
FM-BVX250	Hauptfilter, HEPA 13/Gas/Kohle
FG-BVX250	Hauptfilter, Tiefbett-Gas/Kohle
FN-BVX	Ersatz-Düsenfilter für Düsen vom Typ BVX-NOZR und BVX-NOZC (Packung mit 5)

Düsen

BVX-NOZR	Rechteckige Düse für BVX-Systeme, ESD-geschützt
BVX-NOZC	Runddüse für BVX-Systeme, ESD-geschützt
BVX-NOZ1	Spritzschutzdüse für BVX-Systeme, ESD-geschützt

Arm-Kits und & Zubehör

BVX-ARM-K1	Flexibler Arm 2,5', Schlauch 6', Tischhalterung & Verschlüsse, ESD-geschützt
BVX-ARM	Flexibler Arm 2,5', Ø 2", ESD-geschützt
BVX-ARML	Flexibler Arm 5', Ø 2", ESD-geschützt
BVX-CH01	BVX-Verbindungsschlauch 6', Ø 2", ESD-geschützt
BVX-CH02	BVX-Verbindungsschlauch 12', Ø 2", ESD-geschützt
AC-BVX250-DUCT	Adapter zum Direktanschluss des BVX-250 an Lüftungssysteme
AC-BVX250-OMNI	BVX-250-Adapter für Omniflex-Arme
RPS-1	Ersatz-Fernschalter für BVX-200
BVX-TB01	BVX-Tischhalterung & 2 C-Klammern

10. Garantie

Auf der Website von Metcal (www.metcal.com) finden Sie Informationen über Systeme, Zubehör, technische Hinweise und mehr. Informationen zu Preisen und Verfügbarkeit erhalten Sie auch von Ihrem lokalen Vertreter.

Metcal gewährt für die BVX-250-Serie für ein (1) Jahr ab dem Datum des Kaufs durch den ursprünglichen Eigentümer eine Garantie auf Material- und Verarbeitungsfehler. Diese Garantie schließt die normale Wartung aus und gilt nicht für geöffnete, missbräuchlich verwendete, missbrauchte, modifizierte oder beschädigte Geräte. Sollte das Produkt innerhalb der Garantiezeit defekt werden, repariert oder ersetzt Metcal es nach eigenem Ermessen kostenlos. Reparierte oder ersetzte Geräte werden auf Kosten von Metcal an den ursprünglichen Käufer versandt. Die Garantiezeit beginnt mit dem Kaufdatum. Wenn das Kaufdatum nicht nachgewiesen werden kann, wird das Herstellungsdatum als Beginn der Garantiezeit angenommen.

Für die Reparatur oder Rücksendung eines Geräts muss vorab eine Rücksendegenehmigungsnummer (RMA-Nummer) eingeholt werden.

Amerika

OK International
10800 Valley View Street
Cypress, CA 90630, USA
(714) 799-9910
na-custcare@okininternational.com

Europa

OK International
Eagle Close
Chandlers Ford Ind East
Eastleigh, Hampshire
SO53 4NF, Großbritannien
Englisch: +44 2380 489 100
Französisch: +33 176 710 403
Deutsch: +49 711 959 69 744
europe@okininternational.com

Asien

OK International
4th floor East, Electronic Building,
Yanxiang Industrial Zone
High Tech Road
Guangming New District, Shenzhen P.R.C
+86-755-2327 6366
china@okininternational.com



BVX-250

Sistema di estrazione fumi a due stadi

Manuale operativo e guida per l'utente

Congratulazioni per aver acquistato il sistema di estrazione fumi BVX-250. È progettato per tutelare la salute dagli agenti inquinanti atmosferici pericolosi e irritanti che potrebbero trovarsi nell'area di lavoro. È stato progettato e prodotto secondo i più alti standard di qualità. Grazie per aver acquistato il sistema di estrazione fumi Metcal serie BVX-250.

Questo documento è stato preparato per guidare l'utente nella configurazione, nel funzionamento e nella manutenzione del sistema. Ti consigliamo di esaminarlo per ottimizzare le prestazioni e per la tua sicurezza.

Contenuti

1. Precauzioni di sicurezza.....	62
2. Disimballaggio e ispezione.....	63
3. Descrizione.....	65
4. Dati tecnici	69
5. Installazione.....	70
6. Comunicazione con i sistemi di saldatura ConnectionValidation™ (CV) e serie GT.....	72
7. Manutenzione e pulizia	73
8. Risoluzione dei problemi.....	77
9. Codici prodotto.....	78
10. Garanzia.....	79

Scarica la guida di avvio rapido del BVX-250

<https://bit.ly/Metcal-BVX-250-Quick-Start-Guide>

1. Precauzioni di sicurezza

1.1. Legenda di sicurezza



Avvertimento!

Si riferisce a indicazioni e requisiti di sicurezza che proteggono l'operatore o altre persone da lesioni.



Attenzione!

Sottolinea ciò che deve essere fatto o evitato in modo che l'unità o altri oggetti non vengano danneggiati.



Avviso:

Fornisce raccomandazioni per una migliore gestione dell'unità durante il funzionamento, i settaggi e le manovre di servizio.

1.2. Avvertenze di sicurezza



AVVERTENZA!

Per un funzionamento sicuro e corretto dell'unità, leggere attentamente queste istruzioni. Il produttore non può assumersi alcuna responsabilità in caso di mancata osservanza delle istruzioni. Conserva questo manuale per riferimenti futuri.

AVVERTENZA!



Consultare il proprio "reparto sicurezza" quando si utilizza l'unità su gas infiammabili.

Questa unità non è sicura contro le esplosioni e può essere utilizzata **solo** per l'estrazione di vapori, che hanno livelli di concentrazione ben al di sotto dei limiti minori di esplosività.

AVVERTENZA!



Non utilizzare l'unità per estrarre sostanze corrosive.

AVVERTENZA!

Non esporre il cavo di collegamento a fonti di calore, olio o estremità appuntite.

AVVERTENZA!

Assicurarsi che l'unità sia stabile e al sicuro.



AVVERTENZA!

Utilizzare solo filtri originali.

AVVERTENZA!

Non utilizzare l'unità senza inserti filtranti. Elementi contaminanti presenti nell'aria estratta danneggeranno la ventola.



AVVERTENZA!

Scollegare sempre l'alimentazione prima di mettere a punto l'unità.

AVVERTENZA!

Non coprire mai le aperture di scarico.

AVVERTENZA!



Non coprire mai tutte le aperture di ingresso dell'aria contemporaneamente.

Eccezione: Si può chiudere un'apertura per il funzionamento a uno stadio.

AVVERTENZA!

Questo sistema è dotato di una protezione da sovraccarico a ripristino automatico, che può causare il riavvio automatico dell'unità.



AVVERTENZA!

Rispettare le norme generali di sicurezza per la manipolazione di sostanze chimiche come adesivi e sigillanti. Osservare le istruzioni del produttore riportate nella scheda di sicurezza dei materiali (SSM).

2. Disimballaggio e ispezione

Disimballare con cura il sistema di estrazione dei fumi ed esaminare gli articoli contenuti nel cartone. Ispezionare l'unità per eventuali danni che potrebbero essersi verificati durante il trasporto. Se tali danni sono presenti, avvisare immediatamente il corriere. Il destinatario deve presentare i reclami per danni direttamente al corriere e segnalarli al produttore.

2.1. Articoli forniti

- 2 filtri (pre-filtro e principale) installati nell'unità
- 1 interruttore di avvio/arresto remoto
- 1 cavo di alimentazione
- 1 Manuale operativo

2.2. Caratteristiche

- Sostituisci i filtri senza rimuovere i tubi
- Cerchio LED a colori indicante lo stato dell'unità
- Efficienza HEPA 13 al 99,97%
- Filtro gas Deep-bed opzionale (venduto separatamente)
- Si collega a tubi e flessibili da 50 mm (2")
- Interruttore On/Off con funzione "soft-start"
- Flusso d'aria regolabile a tre livelli: alto, medio, basso
- Potente flusso d'aria e capacità di aspirazione
- Design leggero, portatile e compatto
- Custodia sicura antistatica
- UL & CSA, UKCA, KC, PSE, NOM, CE (ISO-14644)
- RoHS/REACH
- Adatto solo per uso interno
- Può essere utilizzato a temperature comprese tra 0 °C e 40 °C
- Adatto per l'uso ad altitudini comprese tra 0 e 2000 m
- Grado di inquinamento 2



2.3. Utilizzo

Il sistema di estrazione dei fumi è un sistema di filtrazione portatile a due stadi per la rimozione di fumi, polveri leggere o vapori sul posto di lavoro. Il set di filtri fornito con l'unità filtrante dipende dal modello ordinato.

Il BVX-250 viene fornito con un pre-filtro e un filtro principale. Il filtro principale è un filtro combinato HEPA/gas composto da un filtro HEPA 13, con un'efficienza del 99,97% a 0,3 micron e un filtro a carbone attivo. Questo modello è progettato per estrarre fumi come quelli derivati dalle operazioni di saldatura provenienti da saldatori a stagno o a vaschetta, ecc.

È disponibile anche un filtro principale a gas deep-bed (a carbone attivo) (FG-BVX250), progettato per applicazioni come la pulizia con solventi, rivestimenti in acrilico, ecc. (Venduto separatamente)



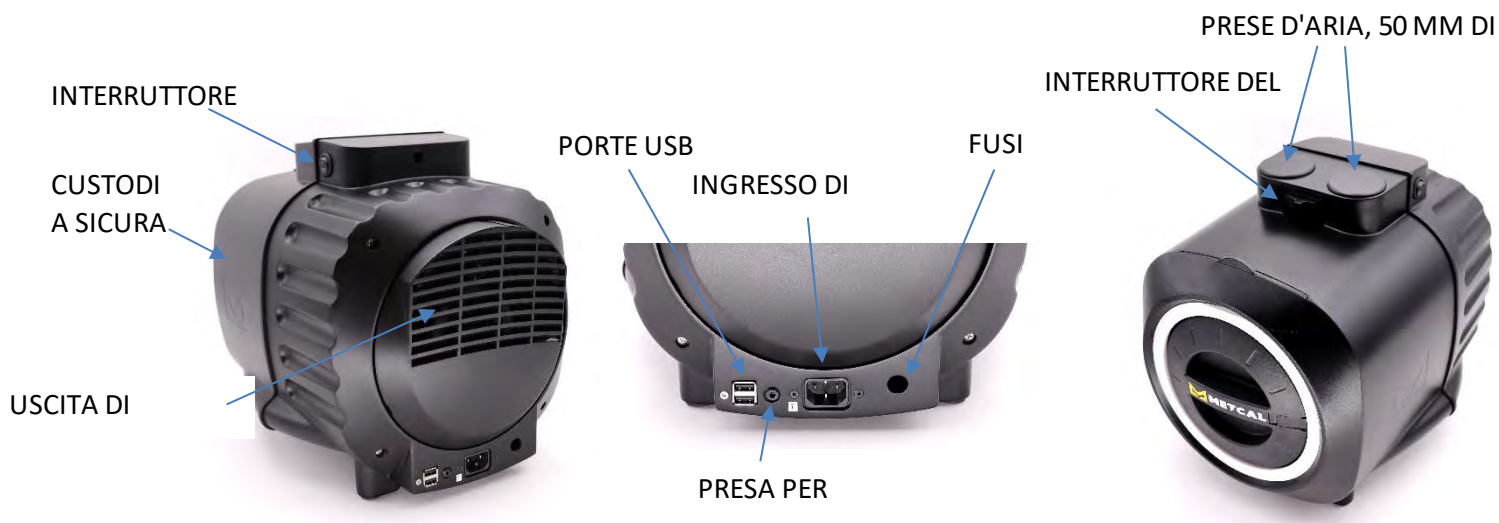
AVVERTENZA!

Consultare il proprio "reparto sicurezza" quando si utilizza l'unità su gas infiammabili. Questa unità non è sicura contro le esplosioni e viene utilizzata solo per l'estrazione di vapori, che hanno livelli di concentrazione ben al di sotto dei limiti minori di esplosività.



3. Descrizione

3.1. Elementi operativi e costruzione



Avvertenza: Non inserire dispositivi audio nella presa per Interruttore remoto.

Avvertenza: Le porte USB vengono utilizzate per la comunicazione e il trasferimento dei dati; NON sono destinate all'uso di dispositivo di ricarica.

3.2. Teoria del funzionamento

La rimozione efficiente dei fumi pericolosi sul posto di lavoro è un processo in due fasi: intercettazione e filtrazione dei fumi. L'unità filtrante viene fornita con un set di filtri già installati.

Per catturare i fumi, Metcal consiglia l'uso di tubi/flessibili e accessori opzionali (acquistati separatamente). I tubi/flessibili devono essere installati correttamente (istruzioni fornite con tubi/flessibili) e l'ugello deve essere posizionato in modo da ottimizzare l'intercettazione dei fumi.

L'aria estratta dall'area di lavoro viene purificata quando passa attraverso i filtri all'interno dell'unità. Contattate il vostro rappresentante Metcal locale in caso di domande sull'adeguata scelta dei filtri che fanno al caso vostro.

3.3. Cerchio LED a colori indicante lo stato dell'unità

Il BVX-250 è progettato con un cerchio LED a colori indicante lo stato dell'unità. Il cerchio LED cambia colore a seconda della modalità in cui si trova l'unità o in caso di problemi con uno dei filtri.

- **BLU:** L'alimentazione è collegata e l'unità è inattiva
- **VERDE:** L'alimentazione è collegata, l'unità funziona normalmente estraendo i fumi
- **LAMPEGGIANTE AMBRA:** Il pre-filtro non è installato correttamente
- **AMBRA:** Il pre-filtro deve essere sostituito
- **LAMPEGGIANTE ROSSO:** Il filtro principale non è installato correttamente
- **ROSSO:** Il filtro principale deve essere sostituito

CERCHIO LED



Vedere la Sezione 7.4 per le procedure di sostituzione dei filtri.

3.4. Gestione dello scarico dell'unità

Lo scarico dell'unità può essere diretto dal deviatore rotante di cui è dotato o collegando l'unità al sistema di ventilazione dell'edificio.

Deviatore di scarico rotante a 360 gradi

Il BVX-250 è dotato di un deviatore di scarico rotante a 360 gradi. L'aria filtrata proveniente dall'unità può essere facilmente scaricata in qualsiasi direzione. Basta ruotare il deviatore di scarico per indirizzare l'aria nel modo desiderato per il massimo comfort.



Il deviatore d'aria regolabile ruota a 360 gradi per il massimo comfort dell'operatore.

Collegamento del BVX-250 ai sistemi di canalizzazione

Il deviatore rotante può essere facilmente rimosso per consentire la canalizzazione diretta nei sistemi di ventilazione degli edifici tramite l'apposito adattatore.

- 1. Rimuovere il deviatore:** Il deviatore è tenuto sull'unità da sei (6) linguette. Inserire delicatamente un piccolo cacciavite a testa piatta nella fessura corrispondente alla linguetta più in alto. Con la testa del cacciavite, spingere leggermente verso il basso la linguetta. Sentirai la linguetta sganciarsi. Ripetere questa procedura fino a quando non sono state rilasciate abbastanza linguette per rimuovere il deviatore.



- 2. Installare l'adattatore per canalizzazioni:** Sostituire il deviatore con l'adattatore opzionale per la canalizzazione diretta (AC-BVX250-DUCT). Viene fissato al BVX-250 utilizzando lo stesso sistema di linguette del deviatore. Assicurarsi che l'adattatore aderisca perfettamente.

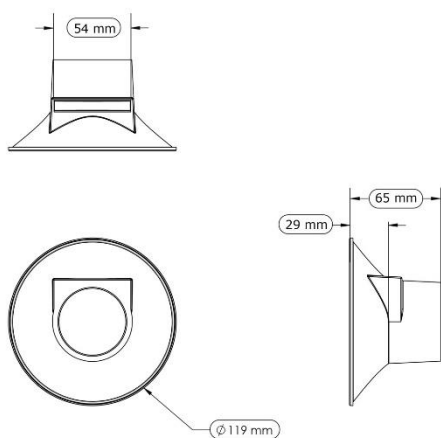


- 3. Collegare il condotto all'adattatore:** Basta collegare un condotto standard da 3 pollici all'adattatore di canalizzazione utilizzando una fascetta.

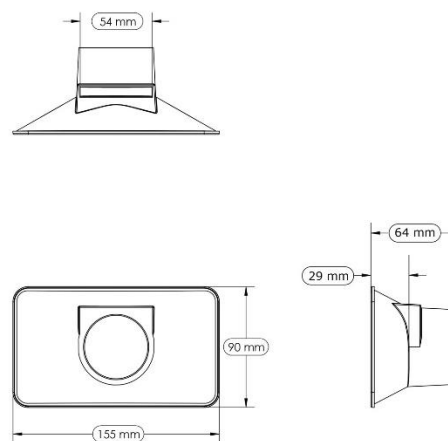


4. Dati tecnici

Flusso d'aria massimo, soffiaggio libero	297 m ³ /h
Portata	2 x 75 m ³ /h
Pressione statica	1743 Pa
Livello di rumore (appros.)	50 dBA (con impostazione media)
Voltaggio	100-240 VAC, monofase
Frequenza	50/60 Hz
Energia	150 Watt
Conformità alla sicurezza	UL & CSA, UKCA, KC, PSE, NOM, CE (ISO-14644), TUV
Dimensioni L/P/A mm	268 x 400 x 320
Dimensioni L/P/A pollici	10,5" x 16" x 13"
Peso (appros.)	12 libbre/5,5 kg



BVX-NOZC



BVX-NOZR

5. Installazione

5.1 Disimballo e impostazioni

Rimuovere il sistema di estrazione dei fumi dai materiali di imballaggio e posizionarlo sul pavimento sotto il banco di lavoro o vicino all'area di lavoro in cui è richiesta l'estrazione dei fumi. Lasciare libero l'accesso all'unità per la manutenzione del filtro.

Collegare il cavo di alimentazione dell'unità all'ingresso di alimentazione sul retro del sistema. Collegare il cavo di alimentazione a una presa a muro con messa a terra.



Avvertimento!

Per proteggere dal rischio di scosse elettriche, collegare solo a prese con messa a terra adeguata.

Collegare l'unità a tubi/flessibili (opzionale) seguendo le istruzioni di installazione. Per accendere il sistema, premere l'interruttore di alimentazione situato nella parte superiore destra dell'unità ("I" indica la posizione "Acceso"). L'operatore può aspettarsi un ritardo di alcuni secondi prima di sentire la ventola accendersi. Ciò è dovuto alla funzione integrata "Soft-Start" del motore.

Posizionare i tubi/flessibili in modo da ottimizzare l'intercettazione dei fumi. Seguire le procedure di manutenzione riportate di seguito.

Collegare l'ugello al tubo

1. Collegare l'ugello al tubo spingendolo fino all'arresto.
2. Ruotare l'ugello in senso orario per assicurarsi che sia fissato saldamente al tubo.
3. Inserire il filtro dell'ugello nella parte superiore dell'ugello e assicurarsi che si inserisca a scatto.
4. Inserire l'ugello e il tubo assemblati nell'ingresso di aspirazione dell'unità di estrazione dei fumi.



5.2 Spegnimento del LED blu (opzionale)

Alcuni utenti del BVX-250 preferiscono spegnere il cerchio LED indicante lo stato quando l'unità è in modalità inattiva.

Per disattivare l'indicatore LED blu che indica la modalità inattiva:

1. Assicurarsi che l'unità sia spenta.
2. Aprire il cassetto del pre-filtro.
3. Accendere l'unità.
4. Aprire e chiudere delicatamente il cassetto del pre-filtro quattro volte, ogni ciclo di apertura/chiusura dura circa un secondo ciascuno.
5. Assicurarsi che il cassetto del pre-filtro sia completamente chiuso.



La luce di stato blu è ora disattivata e non si accende quando l'unità entra in modalità inattiva.

Per riattivare la luce di stato blu, è sufficiente ripetere i passaggi precedenti.

6. Comunicazione con i sistemi di saldatura Connection Validation™ (CV) e serie GT

Il sistema di estrazione dei fumi della serie BVX-250 può comunicare con un sistema di saldatura Metcal CV o serie GT se collegato. (Potrebbe essere necessario un aggiornamento del firmware)

Basta collegare un cavo da USB-A a USB-A tra la porta USB del BVX-250 e la porta USB della stazione di saldatura CV o della serie GT.

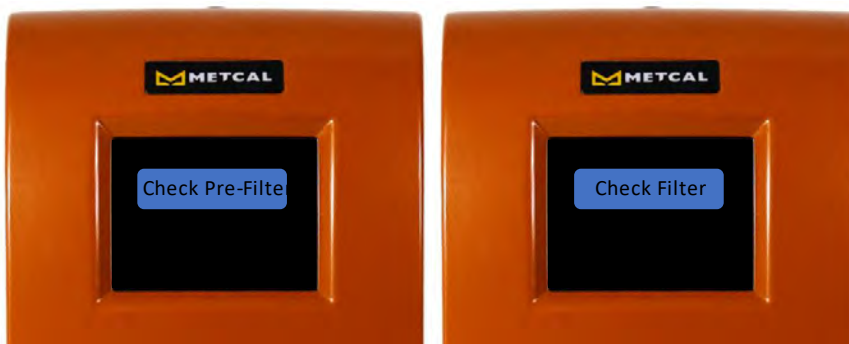
MODALITÀ INATTIVA

Quando il BVX-250 è collegato a un sistema di saldatura CV o GT, entra in modalità inattiva (indicata dal colore blu del cerchio LED) quando il sistema di saldatura ad esso collegato è in modalità inattiva. Il GT entra in modalità inattiva/sospensione quando la manopola non si muove per un periodo di tempo prestabilito (selezionabile). Il CV andrà in modalità inattiva/sospensione quando la punta sarà riposta nel supporto di riposo. Se il BVX è collegato a due sistemi di saldatura, entrambi i sistemi devono essere in modalità inattiva per attivare la stessa modalità sul sistema di estrazione. Quando la stazione di saldatura collegata non è più in modalità inattiva/sospensione, l'unità BVX riprenderà la normale estrazione dei fumi.

AVVISI SULLO SCHERMO

Lo schermo del sistema di saldatura CV o GT collegato mostrerà ora gli avvisi inviati dal sistema di estrazione dei fumi che corrispondono ai messaggi trasmessi dal cerchio LED:

- **PRE-FILTRO (ANELLO LED AMBRATO FISSO O LAMPEGGIANTE):** Se il pre-filtro deve essere cambiato o non è installato correttamente, apparirà un avviso su un sistema di saldatura collegato.
- **FILTRO (ANELLO LED ROSSO FISSO O LAMPEGGIANTE):** Se il filtro principale è bloccato o non è installato correttamente, verrà visualizzato un avviso su un sistema di saldatura collegato.



7. Manutenzione e pulizia

7.1. Unità filtrante: Manutenzione e sicurezza

Il sistema di estrazione dei fumi è progettato per ridurre al minimo la manutenzione. La custodia è in plastica, antistatica. Ecco alcuni suggerimenti per mantenere il sistema in perfetta forma:

Per la pulizia, utilizzare un panno leggero con un detergente delicato per evitare l'accumulo di particelle e residui di flusso (assicurarsi che l'unità sia spenta durante la pulizia).



Non bloccare le uscite di scarico; ciò potrebbe causare un aumento della temperatura di esercizio del sistema, che rischia di danneggiare l'unità e ridurre le prestazioni.



Non smontare l'interruttore di interblocco del filtro. Avviare il sistema senza filtro consentirà al particolato e ai residui di flusso di aderire alla ventola, accorcerà la vita del sistema e aumenterà la rumorosità.



Non sollevare il sistema durante il funzionamento.

Assicurarsi di maneggiare i filtri con cura.

7.2. Tempi di sostituzione del filtro

Filtro HEPA/gas

Quando i fumi vengono filtrati all'interno dell'unità, le particelle catturate inizieranno a ostruire il filtro nel tempo. Le particelle grossolane vengono raccolte nel pre-filtro mentre le particelle fini verranno raccolte nel filtro HEPA. L'intasamento comporterà una riduzione del flusso d'aria, che può ridurre il volume di fumi estratti dall'area di lavoro. Questa condizione potrebbe non richiedere necessariamente la sostituzione del filtro. Una soluzione consiste nell'avvicinare i flessibili di estrazione opzionali, se possibile. Se i fumi non vengono più aspirati al livello precedente o quando la luce

LED diventa ROSSA o AMBRA, è necessario sostituire il filtro. Vedere la sezione 7.4 per le procedure di sostituzione del filtro.



Attenzione!

Non tentare di pulire i filtri. Un tentativo di pulizia può danneggiare i filtri e causare potenziali rischi per la salute e le apparecchiature.



Avviso: Metcal consiglia di sostituire i filtri principali almeno una volta all'anno. La sostituzione regolare del pre-filtro prolungherà la durata del filtro principale (HEPA/carbonio). Utilizzare solo filtri di ricambio originali.

Filtro gas Deep-Bed opzionale 6

I filtri a gas Deep-Bed generalmente non ostruiscono e riducono il flusso d'aria, al contrario dei filtri HEPA. Sostituisci entrambi i filtri, il pre-filtro e il filtro a carbone, non appena gli odori diventano evidenti.



Avviso: Sostituire i filtri almeno ogni 6 mesi, poiché la maggior parte dei materiali filtranti in fase gassosa raggiunge la saturazione assorbendo l'umidità dall'aria. **Utilizzare solo filtri di ricambio originali.**

7.3. Interblocco di sicurezza

L'interruttore di sicurezza è un dispositivo di blocco che disattiva il motore della ventola quando il filtro principale viene rimosso, esponendo così l'apertura di ingresso della ventola. L'interruttore di sicurezza impedisce inoltre al sistema di funzionare senza i filtri; viceversa le impurità contaminerebbero l'unità interna.



POSIZIONE DELL'INTERRUTTORE DI



AVVERTENZA!

Non aggirare l'interruttore di sicurezza. Bypassare l'interruttore di sicurezza potrebbe provocare lesioni.

7.4. Procedura di sostituzione del filtro:

1. Spegnerne l'unità.
2. Scollegare il cavo di alimentazione.
3. Rimuovere e sostituire il pre-filtro (vedere l'illustrazione seguente).
4. Rimuovere e sostituire il filtro principale (vedi illustrazione sotto).
5. Reinscrivere il filtro allineando il punto bianco sul portafiltro con il punto bianco nella parte superiore dell'apertura. Far scorrere il filtro in posizione.

6. Fissare il portafiltro ruotandolo di 90 gradi in senso orario. *Il logo Metcal deve essere rivolto verso l'alto e parallelo al pavimento.*
7. Ricollegare il cavo di alimentazione e accendere il sistema.
8. Se l'unità non funziona, fare riferimento alla sezione Risoluzione dei problemi.



Avviso: Usa sempre nuovi filtri di ricambio!



FASE 6



SPINGERE LA CHIUSURA VERSO IL BASSO PER GARANTIRE CHE L'ELEMENTO FILTRANTE SIA BLOCCATO IN POSIZIONE

FASE 7



FASE 8



7.5. Smaltimento dei filtri

Il filtro a gas raccoglie alcuni materiali organici e potrebbe essere necessario prestare attenzione allo smaltimento. Il filtro può contenere materiali tossici e deve essere evitata l'inalazione di particelle di polvere o l'esposizione alla pelle. Consultate le schede SSM per conoscere il materiale utilizzato presso la vostra struttura e seguite le istruzioni prescritte.

8. Risoluzione dei problemi

	Causa possibile	Controllo e correzione
Nessun flusso d'aria	Nessuna alimentazione	Controllare l'interruttore di accensione Controllare la presa di corrente Controllare il cavo di alimentazione Verificare la presenza di filtri Controllare l'interruttore di sicurezza
Scarso flusso d'aria	Perdita d'aria	Controllare che il tubo/flessibile non presenti perdite Controllare che il tubo/flessibile sia correttamente installato Controllare che il tubo/flessibile non sia ostruito del tutto o in parte
Motore non in funzione e LED ROSSO	Filtro principale non inserito o non completamente inserito	Posizionare il filtro principale nell'unità e premere, assicurandosi che sia completamente inserito
Motore non in funzione, LED AMBRA	Pre-filtro non inserito o non completamente inserito	Posizionare il pre-filtro nell'unità e assicurarsi che sia completamente inserito
Il motore è acceso e il LED è ROSSO	Il filtro principale deve essere cambiato	Cambiare il filtro principale come da sezione 7.4
Il motore è acceso e il LED è AMBRA	Il pre-filtro deve essere sostituito	Cambia il pre-filtro come da sezione 7.4

Il LED per il blocco del filtro BVX-250 è calibrato in fabbrica in base a un flusso d'aria specifico.

7. Assemblare il BVX-250 seguendo le istruzioni della Guida per l'utente. Sia l'interruttore di alimentazione principale che l'interruttore remoto (se utilizzato) devono essere in posizione "Spento" (Off).
8. Accendere l'unità principale e premere l'interruttore remoto. Il LED dell'interruttore remoto si accenderà quando viene alimentato. L'unità si accenderà e il LED sull'unità BVX-250 diventerà VERDE.



Durante la garanzia, l'unità può essere riparata solo da un rappresentante autorizzato dell'assistenza Metcal.

9. Codici prodotto

Sistemi

BVX-250	Unità, filtro e pre-filtro HEPA 13/gas (flessibili venduti separatamente)
BVX-250-KIT	Unità, filtro HEPA 13/gas, pre-filtro e (1) BVX-ARML, (1) BVX-NOZR, (1) BVX-NOZC (include ugelli rettangolari e circolari, filtri per ugelli)

Filtri

FP-BVX250	Pre-filtro (confezione da 5)
FM-BVX250	Filtro principale, HEPA 13/gas/carbonio
FG-BVX250	Filtro principale, Deep-Bed gas/carbonio
FN-BVX	Filtro ugello di ricambio per ugelli BVX-NOZR e BVX-NOZC (confezione da 5)

Ugelli

BVX-NOZR	Ugello rettangolare per sistemi BVX, antistatico
BVX-NOZC	Ugello circolare per sistemi BVX, antistatico
BVX-NOZ1	Ugello per zoccoli per sistemi BVX, antistatico

Kit per flessibili e accessori

BVX-ARM-K1	Flessibile da 2,5', tubo da 6 pollici, morsetti per staffa e da tavolo, antistatici
BRACCIO BVX	Flessibile da 2,5', Ø 2 pollici, antistatico
BVX-ARML	Flessibile da 5', Ø 2 pollici, antistatico
BVX-CH01	Tubo di collegamento BVX da 6', Ø 2 pollici, antistatico
BVX-CH02	Tubo di collegamento BVX da 12', Ø 2 pollici, antistatico
AC-BVX250-DUCT	Adattatore per il collegamento diretto del BVX-250 ai sistemi di ventilazione
AC-BVX250-OMNI	Adattatore BVX-250 per flessibili Omniflex
RPS-1	Interruttore di alimentazione remoto di ricambio per la serie BVX-200
BVX-TB01	Staffa da tavolo BVX e 2 morsetti a C

10. Garanzia

Visita il sito Web di Metcal (www.metcal.com) dove troverai informazioni disponibili su sistemi, accessori, note tecniche e altro ancora. Puoi anche contattare il tuo rappresentante locale per prezzi e disponibilità.

Metcal garantisce la serie BVX-250 contro eventuali difetti nei materiali o nella lavorazione per un (1) anno dalla data di acquisto da parte del proprietario originale. La presente Garanzia esclude la normale manutenzione e non si applica agli articoli aperti, utilizzati in modo improprio, alterati o danneggiati. Se il prodotto dovesse diventare difettoso entro il periodo di garanzia, Metcal lo riparerà o lo sostituirà gratuitamente a sua esclusiva discrezione. L'articolo o gli articoli riparati o sostitutivi verranno spediti, con spedizione prepagata, all'acquirente originale. Il periodo di garanzia decorrerà dalla data di acquisto. Se la data di acquisto non può essere comprovata, la data di produzione verrà utilizzata come inizio del periodo di garanzia.

Per la riparazione o la restituzione di un'unità è necessario ottenere un numero di autorizzazione alla restituzione del materiale (numero RMA).

Americhe

OK International
10800 Valley View Street
Cypress, CA 90630, Stati Uniti
(714) 799-9910
na-custcare@okinternational.com

Asia

OK International
4th floor East, Electronic Building,
Yanxiang Industrial Zone
High Tech Road
Guangming New District, Shenzhen P.R.C.
+86-755-2327 6366
china@okinternational.com

Europa

OK International
Eagle Close
Chandler's Ford Ind Est
Eastleigh, Hampshire
SO53 4NF, Regno Unito
Inglese: +44 2380 489 10
Français: +33 176 710 403
Deutsch: +49 711 959 69 744
europe@okinternational.com



BZX-250

Sistema de extracción de humos de dos estaciones

7100-2500_A

Guía del usuario y manual de operaciones

Enhorabuena por la compra del Sistema de extracción de humos BVX-250. Está diseñado para proteger su salud de los contaminantes peligrosos e irritantes que pueda haber presentes en el aire de su área de trabajo. Ha sido diseñado y fabricado con los más altos estándares de calidad. Gracias por comprar el Sistema de extracción de humos de la serie BVX-250 de Metcal.

Este documento se ha preparado para guiarlo en la configuración, la utilización y el mantenimiento del sistema por parte del usuario. Recomendamos que lo revise para optimizar el rendimiento y por su seguridad.

Contenidos

1. Precauciones de seguridad.....	82
2. Desembalaje e inspección.....	83
3. Descripción	85
4. Datos técnicos.....	89
5. Instalación.....	90
6. Comunicación con los sistemas de soldadura ConnectionValidation™ (CV) y Serie GT	92
7. Mantenimiento y limpieza.....	93
8. Solución de problemas	97
9. Números de pieza.....	98
10. Garantía.....	99

Obtenga la guía de inicio rápido del BVX-250

<https://bit.ly/Metcal-BVX-250-Quick-Start-Guide>

1. Precauciones de seguridad

1.1. Símbolos de seguridad



¡Advertencia!

Se refiere a las normas de seguridad y las medidas de seguridad obligatorias que protegen al operador o a otras personas de lesiones.

¡Precaución!

Resalta lo que se debe hacer o evitar hacer para que la unidad o las demás propiedades no sufran daños.



Aviso:

Ofrece recomendaciones para un mejor manejo de la unidad durante la operación, la configuración y las actividades de servicio.

1.2. Advertencias de seguridad



¡ADVERTENCIA!

Lea estas instrucciones en su totalidad para un funcionamiento seguro y exitoso de la unidad. Si no se siguen las instrucciones, el fabricante puede no asumir ninguna responsabilidad. Conserve este manual para consultarlo en el futuro.

¡ADVERTENCIA!



Consulte con su “Departamento de Seguridad” cuando utilice la unidad con gases inflamables. Esta unidad no es segura contra explosiones y **solo** se puede utilizar para la extracción de humos, que tienen niveles de concentración muy por debajo de los límites explosivos inferiores.

¡ADVERTENCIA!



No utilice la unidad para extraer sustancias corrosivas.

¡ADVERTENCIA!

No exponga el cable de conexión al calor, a aceite o a bordes afilados.

¡ADVERTENCIA!



Asegúrese de que la unidad esté ubicada en una posición estable y segura.

¡ADVERTENCIA!

Utilice únicamente filtros del equipo original.

¡ADVERTENCIA!

No utilice la unidad sin los insertos de filtro. Los contaminantes en el aire extraído dañarán el ventilador.



¡ADVERTENCIA!

Desconecte siempre la fuente de alimentación antes de reparar la unidad.

¡ADVERTENCIA!

Nunca cubra las aberturas de escape.

¡ADVERTENCIA!



Nunca cubra todas las aberturas de entrada de aire simultáneamente.

Excepción: Se puede sellar una abertura para el funcionamiento con una sola estación.

¡ADVERTENCIA!

Este sistema está equipado con una protección de sobrecarga de restablecimiento automático, que puede provocar que la unidad se reinicie automáticamente.



¡ADVERTENCIA!

Observe las normas generales de seguridad para la manipulación de productos químicos como adhesivos y selladores. Siga las instrucciones del fabricante tal como se indica en la Hoja de datos de seguridad del material (*Material Safety Data Sheet*, MSDS).

2. Desembalaje e inspección

Desembale cuidadosamente el Sistema de extracción de humos y examine los artículos contenidos en la caja. Inspeccione la unidad para ver si hay algún daño que pueda haber ocurrido durante el transporte. En caso de que hubiera algún daño, notifíquelo inmediatamente al transportista. Las reclamaciones por daños deben ser presentadas por el destinatario al transportista y deben notificarse al fabricante.

2.1. Artículos incluidos

- 2 filtros (prefiltro y filtro principal) instalados en l
- 1 interruptor remoto para iniciar/detener
- 1 cable de alimentación
- 1 manual de instrucciones

2.2. Características

- Cambio de filtros sin quitar las mangueras
- Anillo de estado LED codificado por colores
- Eficiencia HEPA 13 al 99,97 %
- Filtro de gas de lecho profundo opcional (se vende por separado)
- Conexión para mangueras y brazos de 50 mm (2")
- Interruptor de encendido/apagado con función de "arranque suave"
- Flujo de aire ajustable: tres opciones de flujo de aire (alto, medio y bajo)
- Capacidad de succión y flujo de aire potente
- Diseño ligero, portátil y compacto
- Carcasa segura contra ESD
- UL & CSA, UKCA, KC, PSE, NOM, CE (ISO-14644)
- RoHS/REACH
- Apto solo para uso en interiores
- Puede usarse a temperaturas entre 0 °C y 40 °C
- Apto para su uso en altitudes entre 0 y 2000 m
- Grado de contaminación 2



2.3. Uso

El Sistema de extracción de humos es un sistema de filtración portátil de dos estaciones para la eliminación de humos, polvo ligero o vapores en el lugar de trabajo. El juego de filtros incluido con la unidad de filtro depende del modelo solicitado.

El BVX-250 incluye un prefiltro y un filtro principal. El filtro principal es un filtro combinado HEPA/Gas compuesto por un filtro HEPA 13, con una eficiencia del 99,97 % a 0,3 micras, y un filtro de carbono activado. Este modelo está diseñado para aplicaciones tales como humos soldadoras, ollas de soldadura, etc.

También está disponible un filtro principal de gas (carbono activado) de lecho profundo (FG-BVX250), diseñado para aplicaciones tales como la limpieza con solventes, el revestimiento conformacional, etc. (Se vende por separado).



¡ADVERTENCIA!

Consulte con su "Departamento de Seguridad" cuando utilice la unidad con gases inflamables. Esta unidad no es segura contra explosiones y solo se puede utilizar para la extracción de humos, que tienen niveles de concentración muy por debajo de los límites explosivos inferiores.



3. Descripción

3.1. Elementos de funcionamiento y construcción



Advertencia: No inserte dispositivos de audio en la toma del interruptor remoto.
Advertencia: Los puertos USB se utilizan para la comunicación y la transferencia de datos. NO están diseñados para usarse como dispositivo de carga.

3.2. Teoría de funcionamiento

El proceso de eliminación eficiente de los humos peligrosos en su lugar de trabajo consta de dos pasos: captura y filtración de humos. La unidad de filtrado incluye un juego de filtros ya instalados.

Para capturar los humos, Metcal recomienda el uso de mangueras/brazos y accesorios opcionales (se compran por separado). Las mangueras/brazos deben colocarse correctamente (las instrucciones se incluyen con las mangueras/brazos) y la boquilla debe colocarse de manera tal que se optimice la captura de humos.

El aire que se extrae de su área de trabajo se purificará al pasar por los filtros en el interior de la unidad. Si tiene alguna pregunta sobre cuál es la selección adecuada de filtros para su aplicación, póngase en contacto con su representante local de Metcal.

3.3. Anillo de estado LED codificado por colores

El BVX-250 cuenta con un anillo de estado LED codificado por colores. El anillo LED cambia de color según el modo de la unidad o si hay algún problema con los filtros.

- **AZUL:** La alimentación está encendida, la unidad está en modo inactivo
- **VERDE:** La alimentación está encendida, la unidad funciona normalmente, extrayendo humos
- **PARPADEO ÁMBAR:** El prefiltro no está instalado correctamente
- **ÁMBAR:** Debe cambiarse el prefiltro
- **PARPADEO ROJO:** El filtro principal no está instalado correctamente
- **ROJO:** Debe cambiarse el filtro principal

Consulte la Sección 7.4 para conocer los procedimientos de cambio de filtro.



3.4. Gestión de la unidad de escape

El escape de la unidad puede dirigirse con el desviador giratorio adjunto o puede conectarse al sistema de ventilación del edificio.

Desviador de escape giratorio de 360 grados

El BVX-250 cuenta con un desviador de escape giratorio de 360 grados. El aire filtrado proveniente de la unidad puede expulsarse fácilmente en cualquier dirección. Solo debe girar el desviador de escape para dirigir el aire hacia donde desee para brindar la máxima comodidad al operador.



El desviador de aire ajustable gira 360 grados para brindar la máxima comodidad al operador.

Conexión del BVX-250 a sistemas de conductos

El desviador giratorio puede quitarse fácilmente para permitir la conducción directa del aire a los sistemas de ventilación del edificio con el adaptador de conductos disponible.

- 1. Quite el desviador:** El desviador se sujeta a la unidad mediante seis (6) lengüetas pequeñas. Introduzca con cuidado un destornillador pequeño de punta plana en la ranura correspondiente a la lengüeta superior. Con la cabeza del destornillador, presione ligeramente la lengüeta hacia abajo. Sentirá cómo la lengüeta se suelta. Repita este proceso hasta haber soltado suficientes lengüetas para retirar el desviador.



- 2. Instalación del adaptador de conductos:** Reemplace el desviador por el adaptador opcional para conductos directos (AC-BVX250-DUCT). Se fija al BVX-250 con el mismo sistema de lengüetas que el desviador. Asegúrese de que el adaptador esté perfectamente ajustado.

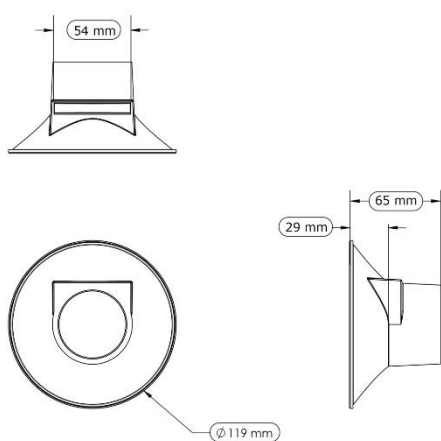


- 3. Conexión del conducto al adaptador:** Solo debe conectar un conducto estándar de 3 pulgadas al adaptador de conductos con una abrazadera de tornillo ajustable para conductos.

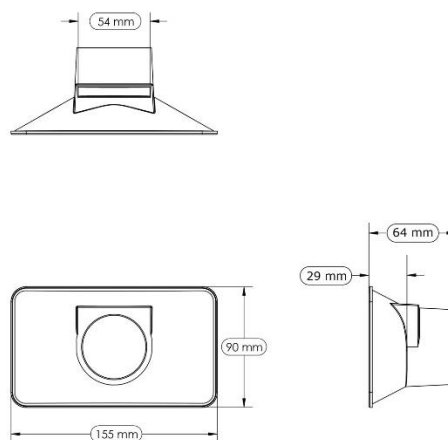


4. Datos técnicos

Flujo de aire máximo, circulación libre	297 m ³ /h (175 cfm)
Velocidad de flujo	2 x 75 m ³ /h (45 cfm)
Presión estática	1743 Pa
Nivel de ruido (aprox.)	50 dBA (a temperatura media)
Voltaje	100 – 240 VAC, monofásico
Frecuencia	50/60 Hz
Potencia	150 Watts
Cumplimiento de normas de seguridad	UL & CSA, UKCA, KC, PSE, NOM, CE (ISO-14644), TUV
Dimensiones ancho/profundidad/altura en mm	268 x 400 x 320
Dimensiones ancho/profundidad/altura en pulgadas	10,5'' x 16'' x 13''
Peso (aprox.)	12 lb/5,5 kg



BVX-NOZC



BVX-NOZR

5. Instalación

5.1 Desembalaje y montaje

Retire el Sistema de extracción de humos de los materiales de embalaje y colóquelo en el piso debajo de la mesa de trabajo o cerca del área de trabajo que requiera la extracción de humos. Asegúrese de tener acceso a la unidad para el mantenimiento de los filtros.

Conecte el cable de alimentación de la unidad a la entrada de alimentación principal en la parte posterior del sistema. Enchufe el cable de alimentación a una toma de pared con conexión a tierra.



¡Advertencia!

Para evitar riesgos de descargas eléctricas, conéctelo únicamente a tomas con una conexión a tierra adecuada.

Conecte la unidad a las mangueras/brazos (opcional) de acuerdo con las instrucciones de instalación. Para encender el sistema, pulse el interruptor de encendido ubicado en el costado superior derecho de la unidad (“I” indica la posición “encendido”). Es posible que el operador deba esperar unos segundos antes de oír el que el ventilador está funcionando. Esto se debe a la función integrada de “arranque suave” del motor.

Coloque los brazos/mangueras de manera tal que se optimice la captura de humos. Siga los procedimientos de mantenimiento que se indican a continuación.

Conectar la boquilla a la manguera

5. Para conectar la boquilla a la manguera, empújela hasta que se detenga.
6. Gire la boquilla en el sentido de las agujas del reloj para asegurarse de que esté bien sujeta a la manguera.
7. Inserte el filtro para boquillas en la parte superior de la boquilla y asegúrese de que encaje en su lugar.
8. Introduzca la boquilla y la manguera montadas en la entrada de aspiración de la unidad de extracción de humos.



5.2 Apagar la luz de estado LED azul (opcional)

Algunos usuarios del BVX-250 prefieren apagar la luz LED del anillo de estado cuando la unidad está en modo inactivo.

Para apagar el indicador de estado azul del modo inactivo:

1. Asegúrese de que la unidad esté apagada.
2. Abra el cajón del prefiltro.
3. Encienda la unidad.
4. Abra y cierre con cuidado el cajón del prefiltro cuatro veces. Cada ciclo de apertura/cierre debe durar aproximadamente un segundo.
5. Asegúrese de que el cajón del prefiltro esté completamente cerrado.



La luz de estado azul ya está desactivada y no se encenderá cuando la unidad entre en modo inactivo.

Para reactivar la luz de estado azul, solo debe repetir estos pasos.

6. Comunicación con los sistemas de soldadura Connection Validation™ (CV) y Serie GT

El Sistema de extracción de humos de la serie BVX-250 puede comunicarse con un sistema conectado de soldadura Metcal CV o Serie GT. (Es posible que se requiera una actualización del firmware).

Solo debe conectar un cable USB-A a USB-A en el puerto USB del BVX-250 y en el puerto USB de la estación de soldadura de CV o Serie GT.

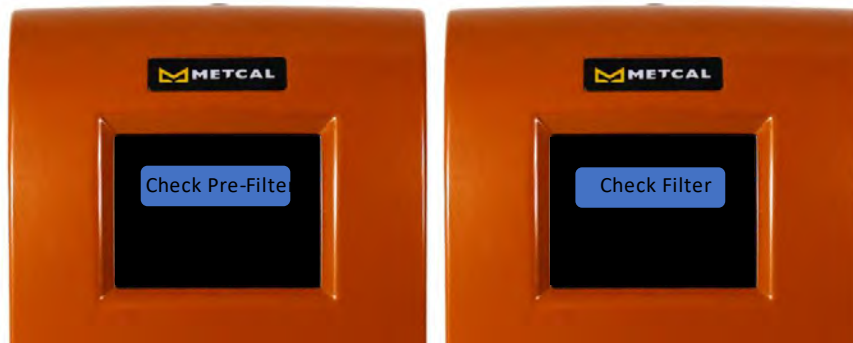
MODO INACTIVO

Cuando el BVX-250 esté conectado a un sistema de soldadura CV o GT, pasará al modo inactivo (indicado por el anillo LED azul) cuando el sistema de soldadura conectado esté en modo inactivo. El GT entra en modo inactivo/reposo cuando la pieza de mano no se mueve por un tiempo determinado (seleccionable). El CV entra en modo inactivo/reposo cuando la punta está en el soporte de reposo. Si el BVX está conectado a dos sistemas de soldadura, ambos sistemas deben estar en modo inactivo para activar el modo inactivo en el sistema de extracción. Cuando la estación de soldadura conectada deje de estar en modo inactivo/reposo, la unidad BVX reanudará la extracción normal de humos.

ALERTAS DE PANTALLA

La pantalla del sistema conectado de soldadura CV o GT mostrará alertas enviadas desde el sistema de extracción de humos que se corresponden con los mensajes transmitidos por el anillo LED:

- **PREFILTRO (ANILLO LED ÁMBAR FIJO O PARPADEANTE):** Si es necesario cambiar el prefiltro o no está instalado correctamente, aparecerá una ventana emergente en el sistema conectado de soldadura.
- **FILTRO (ANILLO LED ROJO FIJO O PARPADEANTE):** Si el filtro principal está bloqueado o no está instalado correctamente, aparecerá una ventana emergente en el sistema conectado de soldadura.



7. Mantenimiento y limpieza

7.1. Unidad de filtrado: mantenimiento y seguridad

El Sistema de extracción de humos está diseñado para requerir bajo mantenimiento. La carcasa es de plástico segura contra ESD. Estos son algunos consejos para mantener el funcionamiento del sistema en óptimas condiciones:

Para limpiar, utilice un paño delicado con un limpiador suave para evitar la acumulación de partículas y residuos de fundente (asegúrese de que la unidad esté apagada durante la limpieza).



No bloquee las salidas de escape; esto provocará un aumento de la temperatura de funcionamiento del sistema, lo que podría dañar la unidad y provocar una disminución del rendimiento.



No desactive el interruptor de bloqueo del filtro. Si opera el sistema sin filtro, se podrán adherir partículas y residuos de fundente al ventilador, lo cual disminuirá la vida útil del sistema y aumentará el ruido.

No levante el sistema mientras esté en funcionamiento.



Asegúrese de manipular los filtros con cuidado.

7.2. Tiempo de reemplazo del filtro

Filtro HEPA/gas

Cuando se filtran los humos dentro de la unidad, las partículas capturadas comenzarán a obstruir el filtro con el tiempo. Las partículas gruesas se acumulan en el prefiltro, mientras que las partículas finas se acumulan en el filtro HEPA. La obstrucción provocará una reducción del flujo de aire, lo que puede reducir la cantidad de humos extraídos del área de trabajo. Es posible que esta situación no requiera necesariamente un cambio de filtro. Una opción es acercar los brazos de extracción opcionales a la aplicación si es posible. Si la extracción de humos ya no cumple con el nivel de satisfacción anterior, o si

la luz LED cambia a ROJO o ÁMBAR, entonces es necesario reemplazar el filtro. Consulte la Sección 7.4 para conocer los procedimientos de cambio de filtro.



¡Advertencia!

No intente limpiar los filtros. Si intenta limpiarlos, podría dañar los filtros y provocar un riesgo potencial para la salud y el equipo.



Aviso: Metcal recomienda reemplazar los filtros principales una vez al año como mínimo. El cambio regular del prefiltro prolongará la vida útil del filtro principal (HEPA/carbono). Utilice únicamente filtros de repuesto originales.

Filtro de gas de lecho profundo opcional

Generalmente, los filtros de gas de lecho profundo no obstruyen ni reducen el flujo de aire, como suele ocurrir con los filtros HEPA. Cambie ambos filtros, el prefiltro y el filtro de carbono, tan pronto como se noten los olores.



Aviso: Cambie los filtros al menos cada 6 meses, ya que la mayoría de los medios filtrantes en fase gaseosa se saturan al absorber la humedad del aire ambiente. **Utilice únicamente filtros de repuesto originales.**

7.3. Bloqueo de seguridad

El interruptor de seguridad es un dispositivo de bloqueo que desactiva el motor del ventilador cuando se retira el filtro principal, lo que permite que la abertura de entrada del ventilador quede expuesta. El interruptor de seguridad también impide que el sistema funcione sin los filtros, lo que permitiría que las impurezas contaminen el interior de la unidad.



UBICACIÓN DEL INTERRUPTOR DE SEGURIDAD



¡ADVERTENCIA!

No omita el dispositivo de bloqueo de seguridad. Pasar por alto el bloqueo de seguridad podría provocar lesiones.

7.4. Procedimiento de cambio de filtro:

1. Apague la unidad.
2. Desconecte el cable de alimentación.
3. Extraiga y cambie el prefiltro (consulte la ilustración a continuación).
4. Extraiga y cambie el filtro principal (consulte la ilustración a continuación).
5. Para volver a insertar el filtro, alinee el punto blanco del soporte del filtro con el punto blanco en la parte superior de la abertura. Deslice el filtro hasta que esté en su sitio.

6. Para fijar el soporte del filtro, gírelo 90 grados hacia la derecha. *El logotipo de Metcal debe estar derecho hacia arriba y paralelo al suelo.*
7. Vuelva a conectar el cable de alimentación y encienda el sistema.
8. Si la unidad no funciona, consulte la sección de Solución de problemas.



Aviso: ¡Utilice siempre filtros de repuesto nuevos!



PASO 3



LEVANTE POR COMPLETO EL PESTILLO DE DESBLOQUEO Y GIRE EL ELEMENTO FILTRANTE

PASO 4



RETIRE EL ELEMENTO FILTRANTE

PASO 5



COLOQUE EL NUEVO ELEMENTO FILTRANTE EN EL SOPORTE Y GÍRELO HASTA QUE SE DETENGA POR COMPLETO

PASO 6



EMPUJE EL PESTILLO HACIA ABAJO PARA ASEGURARSE DE QUE EL ELEMENTO FILTRANTE ESTÉ SEGURO EN SU LUGAR

PASO 7



PASO 8



Eliminación de filtros

El filtro de gas acumula algunos materiales orgánicos y es posible que sea necesario tener cuidado al desecharlos. El filtro puede contener materiales tóxicos. Debe evitarse la inhalación de partículas de polvo y la exposición a la piel. Consulte las hojas de MSDS del material utilizado en sus instalaciones y siga las instrucciones de manipulación prescritas.

8. Solución de problemas

	Causa posible	Revisión y corrección
Sin flujo de aire	Sin alimentación	Compruebe el interruptor de encendido/apagado Compruebe la toma de corriente Compruebe el cable de alimentación Compruebe si hay filtro Compruebe el interruptor de bloqueo de seguridad
Poco flujo de aire	Fuga de aire	Compruebe si hay fugas en la manguera/brazo Compruebe que la manguera/brazo estén instalados correctamente Compruebe si la manguera/brazo tienen obstrucciones parciales
El motor no funciona y la pantalla LED está ROJA	El filtro principal no se insertó o no se insertó por completo	Coloque el filtro principal en la unidad y presione, asegúrese de insertarlo por completo
El motor no funciona y la pantalla LED está ÁMBAR	El prefiltro no se insertó o no se insertó por completo	Coloque el prefiltro en la unidad, asegúrese de insertarlo por completo
El motor está funcionando y la pantalla LED está ROJA	El filtro principal debe cambiarse	Cambie el filtro principal de acuerdo con la Sección 7.4
El motor está funcionando y la pantalla LED está ÁMBAR	El prefiltro debe cambiarse	Cambie el prefiltro de acuerdo con la Sección 7.4

La pantalla LED de bloqueo de filtros del BVX-250 viene calibrada de fábrica con un flujo de aire específico.

9. Monte el BVX-250 según se indica en la Guía del usuario. Tanto el interruptor de alimentación principal como el interruptor remoto (si se utiliza) deben estar en la posición "Apagado".
10. Encienda la unidad principal y pulse el interruptor remoto. La luz LED del interruptor remoto se encenderá cuando esté encendido. La unidad estará en funcionamiento y se podrá ver que la pantalla LED de la unidad BVX-250 se pone VERDE.

9. Números de pieza

Sistemas

BVX-250	Unidad, prefiltro y filtro HEPA 13/Gas (Los brazos se venden por separado)
BVX-250-KIT	Unidad, filtro HEPA 13/Gas, prefiltro y (1) BVX-ARML, (1) BVX-NOZR, (1) BVX-NOZC (incluye boquillas rectangulares y circulares, filtros de boquilla)

Filtros

FP-BVX250	Prefiltro (paquete de 5)
FM-BVX250	Filtro principal, HEPA 13/Gas/Carbono
FG-BVX250	Filtro principal, Lecho profundo Gas/Carbono
FN-BVX	Filtro de boquilla de repuesto para boquillas BVX-NOZR y BVX-NOZC (paquete de 5)

Boquillas

BVX-NOZR	Boquilla rectangular para sistemas BVX, segura contra ESD
BVX-NOZC	Boquilla circular para sistemas BVX, segura contra ESD
BVX-NOZ1	Boquilla pezuña para sistemas BVX, segura contra ESD

Juegos de brazos y accesorios

BVX-ARM-K1	Brazo flexible de 2,5 pies, manguera de 6 pies, soporte de mesa y abrazaderas, seguros contra ESD
BVX-ARM	Brazo flexible de 2,5 pies, Ø 2", seguro contra ESD
BVX-ARML	Brazo flexible de 5 pies, Ø 2", seguro contra ESD
BVX-CH01	Manguera de conexión BVX de 6 pies, Ø 2", segura contra ESD
BVX-CH02	Manguera de conexión BVX de 12 pies, Ø 2", segura contra ESD
AC-BVX250-DUCT	Adaptador para conductos directos BVX-250 a sistemas de ventilación
AC-BVX250-OMNI	Adaptador BVX-250 para brazos Omniflex
RPS-1	Interruptor de alimentación remoto de repuesto para la Serie BVX-200
BVX-TB01	Montura de soporte de mesa BVX y 2 abrazaderas en C

10. Garantía

Visite el sitio web de Metcal (www.metcal.com), donde encontrará información disponible sobre sistemas, accesorios, notas técnicas y más. También puede ponerse en contacto con su representante local para conocer los precios y la disponibilidad.

La Series BVX-250 de Metcal tiene garantía contra cualquier defecto de materiales o de mano de obra de un (1) año a partir de la fecha de compra por parte del propietario original. Esta Garantía excluye el mantenimiento normal y no se aplicará a ningún artículo abierto, mal utilizado, maltratado, alterado o dañado. Si el producto resultara defectuoso dentro del período de garantía, Metcal lo reparará o reemplazará sin cargo alguno, a su entera discreción. Los artículos reparados o reemplazados serán enviados, flete prepago, al comprador original. El periodo de garantía comienza a partir de la fecha de compra. Si no se puede fundamentar la fecha de compra, la fecha de fabricación se utilizará como el inicio del período de garantía.

Para la reparación o la devolución de una unidad, es necesario obtener un número de autorización de devolución de materiales (Número de RMA).

Américas

OK International
10800 Valley View Street
Cypress, CA 90630, EE. UU.
(714) 799-9910
na-custcare@okinternational.com

Europa

OK International
Eagle Close
Chandler's Ford Ind Est
Eastleigh, Hampshire
SO53 4NF, Reino Unido
Inglés: +44 2380 489 100
Français: +33 176 710 403
Deutsch: +49 711 959 69 744
europe@okinternational.com

Asia

OK International
4th floor East, Electronic Building,
Yanxiang Industrial Zone
High Tech Road
Guangming New District, Shenzhen P.R.C
+86-755-2327 6366
china@okinternational.com



BVX-250

双站排烟系统

操作手册与用户指南

恭喜您购买了 BVX-250 排烟系统。它旨在保护您的健康免受工作区域中可能存在的有害和刺激性空气污染物的侵害。该系统根据最高质量标准进行设计和制造。感谢您购买 Metcal BVX-250 系列排烟系统。

本文档旨在指导您进行系统设置、操作和用户维护。我们建议您阅读本文档，以优化性能并确保自身安全。

目录

1. 安全预防措施.....	102
2. 开箱与检查.....	103
3. 描述.....	105
4. 技术数据.....	109
5. 安装.....	109
6. 与 ConnectionValidation™ (CV) 和 GT 系列焊接系统通信	112
7. 维护和清洁.....	113
8. 疑难解答.....	117
9. 零件编号.....	118
10. 保修.....	119

获取 BVX-250 快速入门指南

<https://bit.ly/Metcal-BVX-250-Quick-Start-Guide>

1. 安全预防措施

1.1. 安全标志



警告！

指保护操作员或其他人员免受伤害的安全法规和所需安全措施。

小心！

强调必须采取或避免的措施，以免损坏本机或其他财产。



注意：

针对在运行、调整和维护活动期间更好地操作本机提供建议。

1.2. 安全警告



警告！

为确保本机安全成功运行，请完整阅读本说明。若不遵守说明，制造商概不负责。保留本手册以备将来参考。



警告！

若要使用本机处理易燃气体，请咨询您的“安全部门”。本机不具防爆功能，只能用于抽排浓度远低于爆炸下限的蒸气。



警告！

请勿使用本机提取腐蚀性物质。



警告！

请勿将连接电缆暴露在高温、油污或锋利边缘下。



警告！

确保本机稳固站立且安全。



警告！

仅使用原装设备过滤器。



警告！

请勿在未装入过滤器的情况下操作本机。抽出空气中的污染物会损坏鼓风机。

警告！

在维修本机之前，请务必断开电源。

警告！

切勿遮住排气口。

警告！

切勿同时遮住所有进气口开口。

例外：可以密封一个开口，便于单站操作。

警告！

该系统配备了自动复位过载保护，这可能会导致本机自动重启。

警告！

在处理粘合剂和密封剂等化学品时，请遵守一般安全法规。遵守《材料安全数据表》（MSDS）中规定的制造商说明。

2. 开箱与检查

小心地对排烟系统进行开箱，检查纸箱内所装物品。检查本机在运输过程中可能发生的任何损坏。如果存在此类损坏，请立即通知承运人。损坏索赔必须由收货人向承运人提出，并应向制造商报告。

2.1. 供应的物品

本机中装有 2 个过滤器（预过滤器和主过滤器）

1 个远程启动/停止开关

1 根电源线

1 份操作手册



2.2. 特点

- 无需拆下软管即可更换过滤器
- 颜色编码的 LED 状态环
- HEPA 13 效率为 99.97%
- 可选的深层气体过滤器（单独出售）
- 连接到 50 mm (2") 软管和手臂
- 带有“软启动”功能的开/关开关
- 可调节气流 — 三种气流选项（高、中、低）
- 强大的气流和吸气能力
- 重量轻、便携且设计紧凑
- 防静电外壳
- UL & CSA、UKCA、KC、PSE、NOM、CE (ISO-14644)
- RoHS/REACH
- 仅适合室内使用
- 可用于 0 至 40 摄氏度之间的温度下
- 适合在 0 米到 2,000 米的高度上使用
- 污染程度 2

2.3. 用法

排烟系统是一种便携式双站过滤系统，用于去除工作场所的烟雾、轻微灰尘或蒸气。过滤器单元随附的过滤器组取决于所订购的型号。

BVX-250 配有预过滤器和主过滤器。主过滤器是 HEPA/气体组合过滤器，由 HEPA 13 过滤器（0.3 微米时效率为 99.97%）和活性炭过滤器组成。该型号专为电烙铁、焊罐等产生的焊接烟雾等应用而设计。

还提供深层气体（活性炭）主过滤器（FG-BVX250），专为溶剂清洁、保形涂层等应用而设计。（单独出售）



警告！

若要使用本机处理易燃气体，请咨询您的“安全部门”。本机不具防爆功能，仅用于抽排浓度远低于爆炸下限的蒸气。

预过滤器



主过滤器



3. 描述

3.1. 操作元件和结构



警告：请勿将音频设备插入遥控开关插孔。

警告：USB 接口用于通信和数据传输；不旨在用作充电设备。

3.2. 操作原理

有效清除工作场所的有害烟雾分为两个步骤：烟雾捕获和过滤。过滤装置附带一组已安装好的过滤器。

为了捕获烟雾，Metcal 建议使用可选的软管/手臂和附件（单独购买）。软管/手臂需要正确设置（软管/手臂随附说明书），喷嘴的位置必须以优化烟雾捕获的方式放置。

从工作区域抽出的空气在通过本机内部的过滤器时将被净化。如果对如何正确选择适合您的应用的过滤器有任何疑问，请联系您当地的 Metcal 代表。

3.3. 颜色编码的 LED 状态环

BVX-250 采用颜色编码的 LED 状态环设计。根据本机所处的模式或其中一个过滤器是否有问题，LED 环会改变颜色。

- **蓝色：** 电源已开启，本机处于空闲模式
- **绿色：** 电源已开启，本机运行正常，正在排出烟雾
- **琥珀色闪烁：** 预过滤器安装不正确
- **琥珀色：** 应更换预过滤器
- **红色闪烁：** 主过滤器安装不正确
- **红色：** 应更换主过滤器

LED 状态环



有关过滤器更换程序，请参阅第 7.4 节。

3.4. 管理本机排气

本机排气可以通过附带的旋转分流器来引导，也可以通过将本机连接到建筑物的通风系统来引导。

360 度旋转排气分流器

BVX-250 配有 360 度旋转排气分流器。来自本机的过滤空气可以轻松地向任何方向排出。只需旋转排气分流器即可根据需要瞄准空气，从而最大限度地提高操作员的舒适度。



可调节的空气分流器可旋转 360 度，以最大限度地提高操作员的舒适度。

将 BVX-250 连接到管道系统使用可用的管道适配器，可以轻松拆卸旋转分流器，从而将直接管道接入建筑物的通风系统。

- 1. 拆下分流器：**分流器由六(6) 个小卡舌固定在本机上。轻轻地将一把小平头螺丝刀插入与最上面的卡舌相对应的插槽中。用螺丝刀头稍微向下按一下卡舌。您会感觉到卡舌释放。重复此过程，直到释放足够的卡舌以移除分流器。



- 2. 安装管道适配器：**使用直接管道连接专用的可选适配器更换分流器 (AC-BVX250-DUCT)。使用与分流器相同的卡舌系统将其固定在 BVX-250 上。确保适配器紧密贴合。

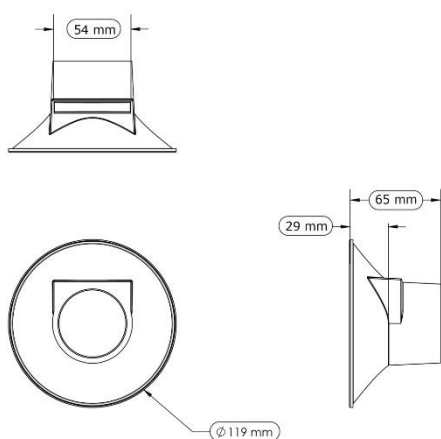


3. 将管道连接到适配器：只需使用可调节的“蠕虫”管道夹将标准的 3” 管道连接到管道适配器即可。

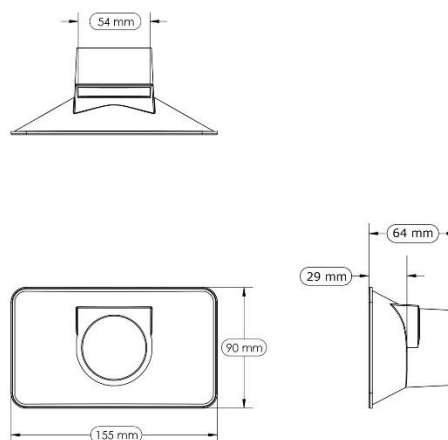


4. 技术数据

最大气流, 自由吹气	297 m ³ /h (175 cfm)
流量	2 x 75 m ³ /h (45 cfm)
静压	1743 Pa
噪音水平 (约至)	50 dBA (在中等设置下)
电压	100 – 240 VAC, 单相
频率	50/60 Hz
功率	150 瓦特
安全合规	UL & CSA、UKCA、KC、PSE、NOM、CE (ISO-14644)、TUV
尺寸宽/深/高 mm	268 x 400 x 320
尺寸宽/深/高 英寸	10.5" x 16" x 13"
重量 (约至)	12 磅/5.5 千克



BVX-NOZC



BVX-NOZR

5. 安装

5.1 开箱与设置

从包装材料中取出排烟系统，将其放在工作台下方的地板上或需要排烟的工作区域附近。确保您可以接触到本机进行过滤器维护。

将本机电源线连接到系统背面的主电源输入。将电源线插入已接地的墙上插座。



警告！

为防止触电风险，请仅连接到正确接地的插座。

按照安装说明将本机连接到软管/手臂（可选）。要启动系统，请按下本机右上角的电源开关（“I”表示“开机”位置）。操作员可能会延迟几秒钟才能听到风扇运行的声音。这是由于内置了电机“软启动”功能。

放置手臂/软管以优化烟雾捕获。

请遵循以下维护程序。

将喷嘴连接到软管上

1. 推动喷嘴直到软管停止，将其连接到软管。
2. 顺时针旋转喷嘴，确保喷嘴牢固地固定在软管上。
3. 将喷嘴过滤器插入喷嘴顶部 - 确保其卡入到位。
4. 将组装好的喷嘴和软管插入排烟装置的吸入口。



5.2 关闭蓝色 LED 状态灯 (可选)

BVX-250 的某些用户会选择在本机处于空闲模式时关闭 LED 状态环灯。

要关闭蓝色的空闲模式状态指示灯，请执行以下操作：

1. 确保本机已关闭。
2. 打开预过滤器抽屉。
3. 开启本机。
4. 轻轻地打开和关闭预过滤器抽屉四次，
每个打开/关闭周期持续约一秒钟。
5. 确保预过滤器抽屉已完全关闭。



蓝色状态灯现已停用，当本机进入空闲模式时不会亮起。

要重新激活蓝色状态灯，只需重复上述步骤即可。

6. 与 ConnectionValidation™ (CV) 和 GT 系列焊接系统通信

BVX-250 系列排烟系统可以与连接的 Metcal CV 或 GT 系列焊接系统通信。（可能需要更新固件）

只需在 BVX-250 的 USB 接口和 CV 或 GT 系列焊台上的 USB 接口之间连接 USB-A 转 USB-A 电缆即可。

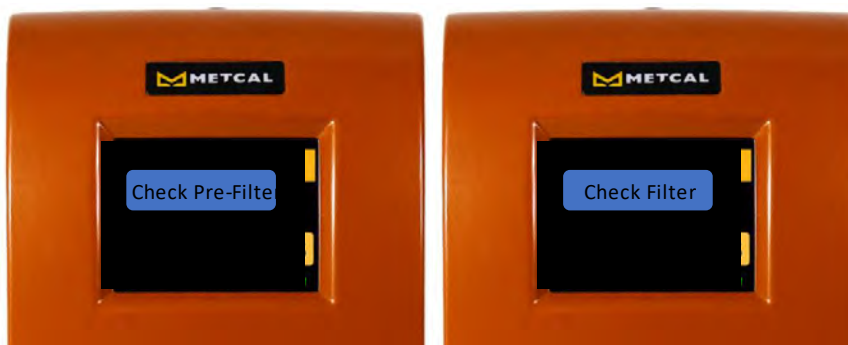
空闲模式

当 BVX-250 连接到 CV 或 GT 焊接系统时，而连接的焊接系统处于空闲模式时，它将进入空闲模式（由 LED 环变为蓝色表示）。当机头在设定的时间（可选）内不移动时，GT 会进入空闲/睡眠模式。当笔尖放在卧铺支架上时，CV 将进入闲置/睡眠状态。如果 BVX 连接到两个焊接系统，则两个系统都需要处于空闲模式才能触发抽排系统的空闲模式。当连接的焊台不再处于空闲/睡眠模式时，BVX 设备将恢复正常排烟。

屏幕警报

连接的 CV 或 GT 焊接系统上的屏幕现在将显示从排烟系统发送的警报，这些警报与 LED 环传达的消息相对应：

- **预过滤器（固态或闪烁的琥珀色 LED 灯环）**：如果需要更换预过滤器或未正确安装预过滤器，则连接的焊接系统上会出现一个弹出窗口。
- **过滤器（固态或闪烁的琥珀色 LED 灯环）**：如果主过滤器被阻塞或安装不正确，则连接的焊接系统上会出现一个弹出窗口。



7. 维护和清洁

7.1. 过滤装置-维护和安全

排烟系统的设计考虑到了低维护需求。外壳采用防静电塑料制成。以下列有一些让您的系统保持最佳运行状态的小贴士：

要进行清洁，请使用温和清洁剂轻度擦拭，以防止颗粒物和助焊剂残留物积聚（清洁时请务必关闭本机）。



不要堵塞排气口；这会导致系统的工作温度升高，从而可能损坏本机并导致性能下降。



不要破坏过滤器联锁开关。在未安装过滤器的情况下运行系统会使颗粒和助焊剂残留物粘附在鼓风机上，从而缩短系统的使用寿命并增加噪音。

操作时请勿抬起系统。



请务必小心处理过滤器。

7.2. 过滤器更换时间

HEPA/气体过滤器

当烟雾在本机内过滤时，捕获的颗粒物会随着时间的推移而开始堵塞过滤器。粗颗粒物收集在预过滤器中，而细颗粒物则收集在 HEPA 过滤器中。堵塞会导致气流减少，从而减少从工作区域抽出的烟雾量。这种情况未必需要更换过滤器。步骤之一是尽可能将可选的抽排臂移到离应用更近的地方。如果抽排的烟雾量仍未达到之前的满意水平，或者当 LED 灯变为红色或琥珀色时，则需要更换过滤器。有关过滤器更换程序，请参阅第 7.4 节。



警告！

请勿尝试清洁过滤器。尝试清洁可能会损坏过滤器，并对健康和设备造成潜在风险。



注意：Metcal 建议至少每年更换主过滤器。定期更换预过滤器有助延长主过滤器（HEPA/碳）的使用寿命。仅使用原装代换过滤器。

可选的深层气体过滤器

深层气体过滤器通常不会像 HEPA 过滤器那样阻塞和减少气流。一旦气味明显出现，请立即更换过滤器、预过滤器和活性炭过滤器。



注意：至少每 6 个月更换一次过滤器，因为大多数气相过滤介质通过吸收环境空气中的水分来达到饱和状态。仅使用原装代换过滤器。

7.3. 安全联锁

安全开关是一种联锁，当拆下主过滤器时，它会停用风扇电机，从而使风扇入口开口暴露在外。安全开关还可以防止系统在未安装过滤器的情况下运行，这会使杂质污染内部单元。



安全开关的位置



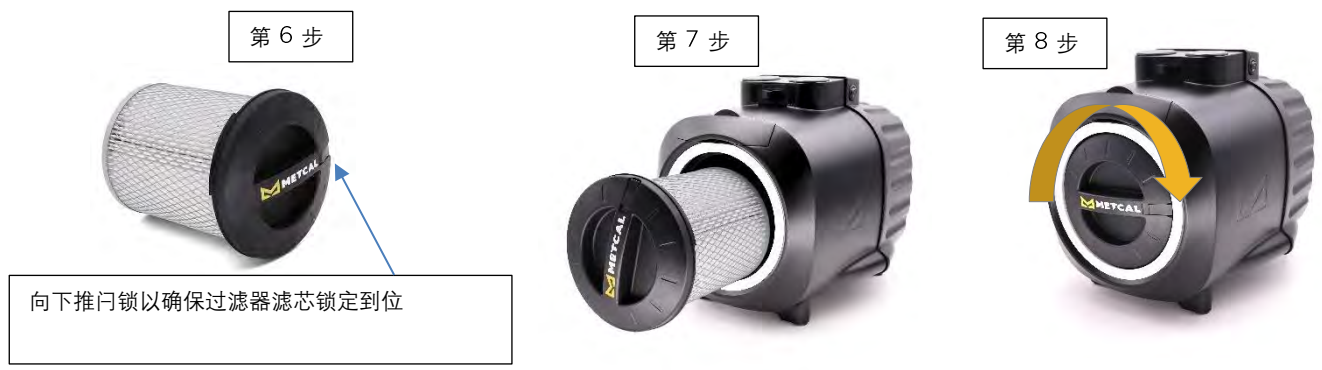
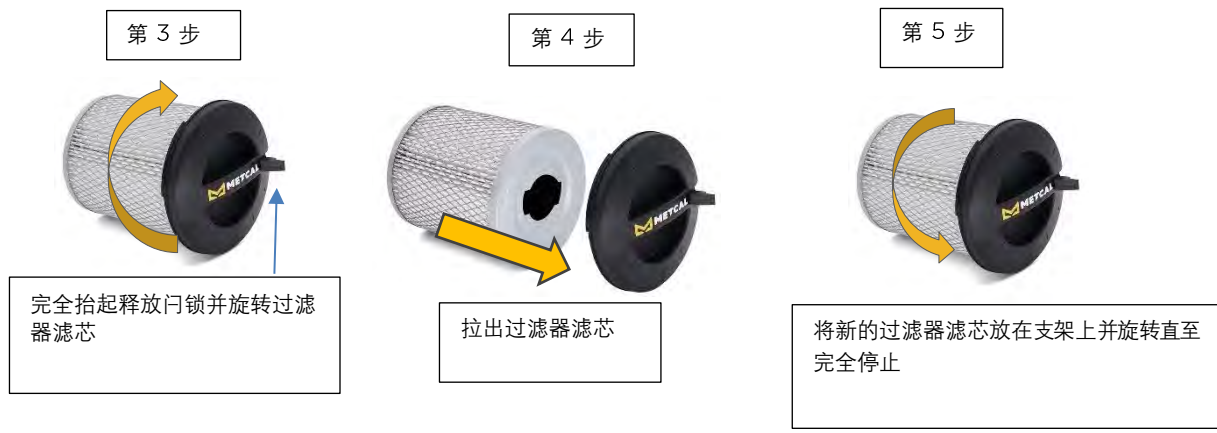
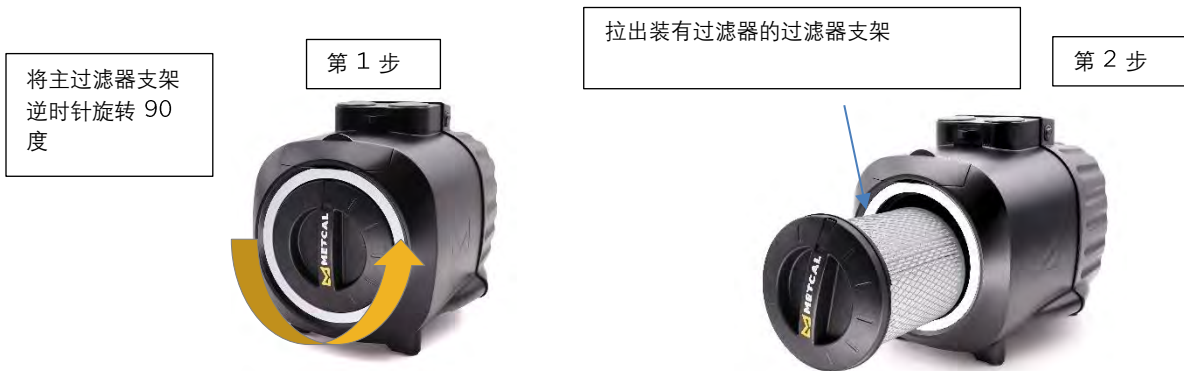
警告！
请勿绕过安全联锁。绕过安全联锁可能会导致受伤。

7.4. 过滤器更换程序：

1. 关闭本机。
2. 断开电源线。
3. 拆下并更换预过滤器（参见下图）。
4. 拆下并更换主过滤器（参见下图）。
5. 将过滤器支架上的白点与开口顶部的白点对齐，重新插入过滤器。将过滤器滑动到位。
6. 顺时针旋转 90 度，固定过滤器支架。*Metcal* 徽标应朝右且与地板平行。
7. 重新连接电源线并开机。
8. 如果本机无法运行，请参阅“故障排除”部分。



注意：请务必使用新的代换过滤器！



7.5. 过滤器处置

气体过滤器会收集一些有机物质，因此在处置时可能需要小心。过滤器可能含有有毒物质，必须避免吸入灰尘颗粒物或接触皮肤。请查阅 MSDS 表，了解您所在工厂使用的物料，并遵循规定的处理说明。

8. 疑难解答

	可能的原因	检查和更正
没有气流	没有电源	检查“开/关”开关 检查电源插座 检查电源线 检查过滤器 检查安全联锁开关
气流很少	漏气	检查软管/手臂是否泄漏 检查软管/臂是否安装正确 检查软管/手臂是否部分堵塞
电机未运转且红色 LED 显示屏	主过滤器未插入或未完全插入	将主过滤器放在本机中并按下，确保其完全插入
电机未运行且琥珀色 LED 显示屏	预过滤器未插入或未完全插入	将预过滤器放在本机中，并确保其完全插入
电机正在运转且红色 LED 显示屏	主过滤器需要更换	按照 7.4 更换主过滤器
电机正在运转且琥珀色 LED 显示屏	需要更换预过滤器	按照 7.4 更换预过滤器

BVX-250 过滤器块 LED 显示屏出厂时已针对特定的气流进行校准。

11. 按照《用户指南》组装 BVX-250。主电源开关和遥控开关（如果使用）都应处于“关闭”位置。

12. 打开主机，然后按下遥控开关。通电后，遥控开关 LED 将亮起。本机将运行，您将看到 BVX-250 设备上的 LED 显示屏变为绿色。



本机在保修期内只能由授权的 Metcal 维护代表进行维修。

9. 零件编号

系统

BVX-250	单元, HEPA 13/气体过滤器和预过滤器 (手臂单独出售)
BVX-250-KIT	单元、HEPA 13/气体过滤器、预过滤器以及 (1) BVX-ARML、(1) BVX-NOZR、(1) BVX-NOZC (包括矩形和圆形喷嘴、喷嘴过滤器)

过滤器

FP-BVX250	预过滤器 (5 件装)
FM-BVX250	主过滤器, HEPA 13/气体/碳
FG-BVX250	主过滤器, 深层气体/碳
FN-BVX	BVX-NOZR 和 BVX-NOZC 喷嘴专用代换喷嘴过滤器 (5 件装)

喷嘴

BVX-NOZR	BVX 系统专用矩形喷嘴, 防静电
BVX-NOZC	BVX 系统专用圆形喷嘴, 防静电
BVX-NOZ1	BVX 系统专用蹄形喷嘴, 防静电

手臂套件和配件

BVX-ARM-K1	2.5' 弹性手臂、6' 软管、桌子支架卡扣、防静电
BVX-ARM	2.5' 弹性手臂, 直径 2", 防静电
BVX-ARML	5' 弹性手臂, 直径 2", 防静电
BVX-CH01	6' BVX 连接软管, 直径 2", 防静电
BVX-CH02	12' BVX 连接软管, 直径 2", 防静电
AC-BVX250-DUCT	通风系统直接管道 BVX-250 专用适配器
AC-BVX250-OMNI	Omniflex 手臂专用 BVX-250 适配器
RPS-1	BVX-200 系列专用代换远程电源开关
BVX-TB01	BVX 桌子托架和 2 个 C 型夹具

10. 保修

请访问 Metcal 的网站 (www.metcal.com)，在这里您可以找到有关系统、配件、技术说明等的可用信息。您也可以联系当地代表了解价格和供货情况。

Metcal 保证 BVX-250 系列自原始所有者购买之日起一 (1) 年内不会出现任何材料或工艺缺陷。本保修不包括正常维护，不适用于任何拆开、误用、滥用、改动或损坏的产品。如果产品在保修期内出现故障，Metcal 将自行选择免费维修或更换。维修或更换的物品将由厂家预付运费的方式运送给原始购买者。保修期将从购买之日起计算。如果无法证明购买日期，则以生产日期作为保修期的起始日期。

要维修或退回本机，需要获得退货授权号 (RMA #)。

美洲地区

OK International
10800 Valley View Street
Cypress, CA 90630, USA
(714) 799-9910
na-custcare@okininternational.com

欧洲

OK International
Eagle Close
Chandler's Ford Ind Est
Eastleigh, Hampshire
SO53 4NF, United Kingdom
英国 : +44 2380 489 100
法国 : +33 176 710 403
德国 : +49 711 959 69 744
europe@okininternational.com

亚洲

OK International
4th floor East, Electronic Building,
Yanxiang Industrial Zone
High Tech Road
Guangming New District, Shenzhen P.R.C
+86-755-2327 6366
china@okininternational.com



BVX-250

2 ステーションの蒸気抽出システム

操作マニュアルとユーザーガイド

BVX-250 蒸気抽出システムを購入していただきありがとうございます。それは、作業領域にある危険で刺激の強い大気汚染物質から作業者の健康を保護するように設計されています。最も高い品質規格に合わせて設計され製造されています。Metcal BVX-250 シリーズ蒸気抽出システムを購入していただきありがとうございます。

このドキュメントはシステムのセットアップ、操作、およびユーザーメンテナンスについてガイドするために作成されました。当社は、パフォーマンスを最適化し、作業者の安全を守るためにこれを検討することをお勧めします。

目次

1. 安全措置.....	122
2. 開梱と点検.....	123
3. 説明.....	125
4. テクニカル データ	129
5. インストール.....	130
6. ConnectionValidation™ (CV) および GT シリーズはんだ付けシステムとの通信	132
7. メンテナンスとクリーニング	133
8. トラブルシューティング	137
9. 部品番号.....	138
10. 保証.....	139

BVX-250 クイック スタート ガイドの入手先

<https://bit.ly/Metcal-BVX-250-Quick-Start-Guide>

1. 安全措置

1.1. 安全シンボル



警告！

負傷からオペレータやその他の人々を保護するために安全規則および必要な安全対策を参照してください。



注意！

ユニットやその他の物が破損されないようにするために行われるべきことおよび避けるべきことを強調します。



通知：

操作、調整、およびサービスのアクティビティの間、ユニットをよりうまく取り扱うための推奨を与えます。

1.2. 安全警告



警告！

ユニットを安全かつ上手に操作するため、これらの指示をすべてお読みください。指示が遵守されない場合、メーカーは責任を負うことができません。後日の使用に備えてこのマニュアルを保持してください。



警告！

可燃性ガスに対してユニットを使用する場合「保安部」に相談してください。このユニットには爆発安全性はなく、蒸気の抽出にのみ使用できます。この場合、蒸気の濃度レベルが爆発性を持つ上限よりもはるかに下になければなりません。



警告！

腐食性物質を抽出するのにユニットを使用しないでください。

警告！

接続ケーブルを熱、油、または鋭い端部に対して露出しないでください。

警告！

ユニットが安定して確実に立っているようにしてください。



警告！

新品購入時の機器フィルタだけを使用してください。

警告！

フィルタの挿入なしでユニットを操作しないでください。抽出された空気中の汚染物質は送風機に損傷を与えます。



警告！

ユニットを調整する前に、常に電源を外してください。

警告！

排気口を決して覆わないでください。



警告！

同時にすべての空気取入口を覆わないでください。

例外：1つの開口部が単一のステーション操作のために封鎖されます。

警告！

このシステムには過負荷保護を自動リセットする機能があり、ユニットがそれによって自動的に再起動することがあります。



警告！

接着剤やシーラントなどの化学物質の取り扱いに関しては一般的な安全規則を遵守してください。材料安全データシート (MSDS) に定めるメーカーの指示に従ってください。

2. 開梱と点検

慎重に蒸気抽出システムを開梱し、段ボール箱に含まれている品目を調べてください。輸送中に発生した損傷がないかどうかユニットを点検してください。そのような損傷が存在している場合、至急、運送業者に通知してください。損害賠償の請求は、荷受人が運送業者に行う必要があります、またメーカーにも報告しなければなりません。

2.1. 供給品目

2つのフィルタ (プレとメイン) がユニットにインストール
1つのリモート開始/停止スイッチ
1つの電源コード
1冊の操作マニュアル

2.2. 機能

- ホースの取り外しなしでフィルタの変更が可能
- 色分けされた LED ステータス リング
- 99.97% の HEPA 13 効率
- オプションのディープベッド ガス フィルタ (別売)
- 50mm (2") ホースとアームに接続
- 「ソフトスタート」の機能の付いたオン/オフ スイッチ
- 調整可能な気流 - 3つの気流オプション (高、中、および低)
- 強力な気流と吸気の容量
- 軽量、携帯式、そしてコンパクトなデザイン
- ESD 対応ハウジング
- UL&CSA、UKCA、KC、PSE、NOM、CE (ISO-14644)
- RoHS/REACH
- 屋内使用専用
- 0 °C から 40 °C の間の温度で使用可能。
- 0m から 2,000m の間の高度での使用に適しています
- 汚染度 2



2.3. 用法

蒸気抽出システムは携帯式の2ステーションフィルタ システムで、蒸気、軽量のほこり、または仕事場の気体を除去するために使用されます。フィルタ ユニットに提供されるフィルタ セットは注文されたモデルによって異なります。

BVX-250 にはプレフィルタとメインフィルタが提供されます。メインフィルタは HEPA 13 フィルタで構成された HEPA/ガスのコンポフィルタで、0.3 ミクロンで 99.97% の効率性があり、活性炭フィルタが付いています。このモデルははんだごて、はんだポットなどからのはんだ蒸気に対して使用されるように設計されています。

また、ディープベッドガス(活性炭)メインフィルタ (FG-BVX250) も利用可能で、溶剤、絶縁保護コーティングなどのクリーニングといった用途に設計されています。(別売)



警告！

可燃性ガスに対してユニットを使用する場合「保安部」に相談してください。このユニットには爆発安全性はなく、蒸気の抽出にのみ使用できます。この場合、蒸気の濃度レベルが爆発性を持つ上限よりもはるかに下になければなりません。

プレフィル



メインフィ



3. 説明

3.1. 操作用エレメントと構造



警告：オーディオ デバイスをリモート スイッチ ジャックに挿入しないでください。
警告：USB ポートは通信とデータ転送に使用されます。充電デバイスとしての使用は意図されていません。

3.2. 動作理論

仕事場で危険な蒸気を効率的に除去することは、蒸気を捕らえてフィルタにかけるという2ステップのプロセスになります。既にインストールされている1セットのフィルタがフィルタユニットに提供されています。

蒸気を捕らえるために、Metcal はオプションのホース/アームとアクセサリ（別途購入）の使用を推奨します。ホース/アームは適切にセットアップされる必要があります（ホース/アームに付属の指示通り）。そしてノズルが蒸気の捕獲を最適に行えるように配置される必要があります。

作業領域から抽出された空気は、ユニット内のフィルタを通り抜けるときに浄化されます。用途に適したフィルタを選択することに関して何か質問がおありの場合、地元の Metcal 担当者にお問い合わせください。

3.3. 色分けされた LED ステータス リング

BVX-250 は色分けされた LED ステータス リングで設計されています。ユニットの現在のモードに応じて、あるいはフィルタに問題が生じた場合に LED リングは色を変えます。

- **青:** 電源がオンで、ユニットが待機モード
- **緑:** 電源がオンで、ユニットが正常に動作し、蒸気を抽出している
- **琥珀色に点滅:** プレフィルタが適切にインストールされていない
- **琥珀色:** プレフィルタを取り替える必要があります
- **赤に点滅:** メイン フィルタが適切にインストールされていない
- **赤:** メイン フィルタを取り替える必要があります

フィルタ交換手順に関してはセクション 7.4 を参照してください。

LED ステータス



3.4. ユニット排気を管理

ユニットの排気には、付属の回転式ダイバータ、または建物の換気システムにユニットを接続することによって指示を与えることができます。

360 度回転式の排気ダイバータ

BVX-250 は 360 度回転式の排気ダイバータを装備します。ユニットから来るフィルタにかけられた空気は容易にどの方向にでも排出できます。排気ダイバータを回転させるだけで、オペレーターが最も満足できる方向に空気を向けることができます



調整可能な空気ダイバータは、オペレーターが最高の快適さを得られるよう 360 度回転させることができます。

BVX-250 システムを配管システムに接続

回転式ダイバータは利用可能な配管アダプターを使用することで建物の換気システムへ直接配管することができます。

1. **ダイバータの取り外し:** ダイバータはユニット上で6つの小さいタブによって保持されています。ゆっくりと小さいマイナスドライバーを一番上のタブの対応するスロットに挿入してください。ドライバーのヘッドを使用してタブに少し押し込みます。タブがリリースされたことが分かります。ダイバータを取り除くために十分な数のタブがリリースされるまでこのプロセスを繰り返してください。



2. **配管アダプターをインストール:** ダイバータを直接配管 (AC-BVX250-DUCT) 用のオプションのアダプターに取り替えてください。ダイバータと同じタブシステムを使用することで BVX-250 にそれを固定します。アダプター

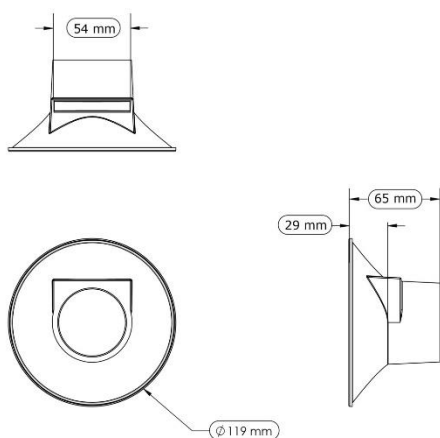


3. 配管をアダプターに取り付け：調整可能な「ワーム」配管クランプを使用し、標準的な 3” 配管を配管アダプターに取り付けてください。

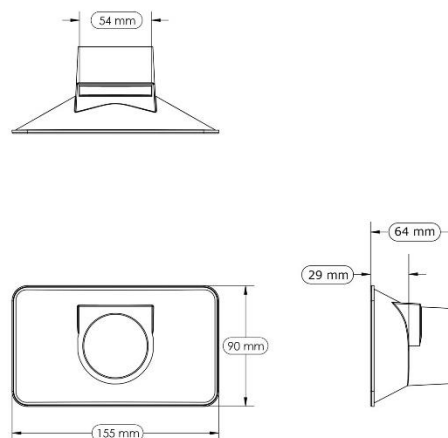


4. テクニカル データ

最大気流、自由吹き出し	297 m ³ /時 (175 cfm)
流速	2 x 75 m ³ /時 (45 cfm)
静圧	1743 Pa
騒音レベル (概算)	50 dBA (「中」設定で)
電圧	100 - 240 VAC、1 相
周波数	50/60 Hz
電力	150 ワット
安全上のコンプライアンス	UL&CSA、UKCA、KC、PSE、NOM、CE (ISO-14644)、TUV
寸法 W/D/H mm	268 x 400 x 320
寸法 W/D/H インチ	10.5" x 16" x 13"
重量 (概算)	1. bs. / 5.5 kg



BVX-NOZC



BVX-NOZR

5. インストール

5.1 開梱とセットアップ

梱包材から蒸気抽出システムを取り外し、作業台下の床上または蒸気抽出が必要な作業領域の近くに置いてください。フィルタメンテナンスのためにユニットにアクセスできる手段を講じてください。

システム後部のメイン電源入力にユニットの電源コードを接続してください。接地された壁コンセントに電源コードのプラグを差し込んでください。



警告！

感電のリスクに対する保護を提供するため、適切に接地された差込み口にのみ接続してください。

インストールの指示に従ってホース/アーム(オプション)にユニットを接続してください。システムへ電源を入れるには、ユニットの上右側にある電源スイッチを押してください(「I」は「電源オン」のポジションを意味します)。オペレータはファンが動き出すまで数秒の遅れを予想してください。これは内蔵モーターの「ソフトスタート」機能によるものです。

アーム/ホースを位置決めして、蒸気の捕獲を最適化してください。

以下のメンテナンス手順に従ってください。

ノズルをホースに取り付け

1. ノズルを止まるまで押すことによってホースに接続してください。
2. ノズルを時計回りに回し、しっかりとホースに取り付けられているか確認してください。
3. ノズル フィルタをノズルの先端に挿入します。カチッという音がしたら確実に取り付けられています。
4. 蒸気抽出ユニットの吸入口に組み立てたノズルとホースを挿入してください。



5.2 青の LED ステータス ライトをオフにする (オプション)

BVX-250 のユーザーの中には、ユニットが待機モードにあるとき LED ステータス リングのライトがオフになることを好む人もいます。

青の待機モードのステータス インジケータをオフにする：

1. ユニットがオフになっていることを確認してください。
2. プレフィルタのドロワーを開けてください。
3. ユニートをオンにします。
4. プレフィルタのドロワーを 4 回ゆっくり開いて閉じます。それぞれの開閉サイクルは約 1 秒間です。
5. プレフィルタのドロワーが完全に閉じられているか確認してください。



これで青のステータス ライトは非アクティブになり、ユニットが待機モードになったときにオンになりません。

青のステータス ライトを再アクティブ化するには、上記のステップを繰り返してください。

6. ConnectionValidation™ (CV) および GT シリーズはんだ付けシステム との通信

BVX-250 シリーズ蒸気抽出システムは接続済み Metcal CV または GT シリーズはんだ付けシステムと通信できます。(ファームウェアのアップデートが必要です)

USB-A to USB-A ケーブルを BVX-250 の USB ポートから CV または GT シリーズのはんだ付けステーションの間に接続してください。

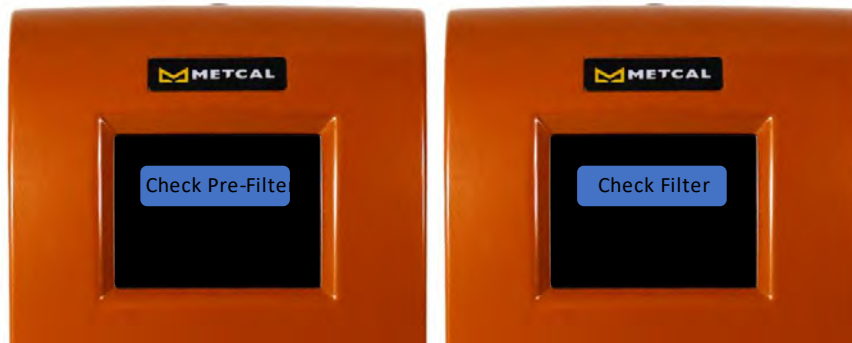
待機モード

BVX-250 が CV または GT はんだ付けシステムに接続されると、接続済みのはんだ付けシステムが待機モードに入った時に BVX-250 も待機モードに入ります (LED リングが青になることで示される)。ハンドピースが設定時間に動かない場合 (選択可能)、GT は待機/スリープ モードに入ります。チップがスリーパー スタンドにあるとき、CV は待機/スリープ モードに入ります。BVX が 2 台のはんだ付けシステムに接続された場合、抽出システムで待機モードをトリガーするには、両方のシステムが待機モードに入る必要があります。接続済みはんだ付けステーションが待機/スリープ モードにない場合、BVX ユニットは通常の蒸気抽出を再開します。

画面上のアラート

接続済み CV または GT はんだ付けシステム上の画面が、LED リングによって伝えられたメッセージに対応する蒸気抽出システムから送られたアラートを表示します。

- **プレフィルタ (点灯した、または点滅する琥珀色の LED リング):** プレフィルタが変更される必要がある場合、または正しくインストールされていない場合、ポップアップが接続済みはんだ付けシステムの上に現れます。
- **フィルタ (点灯した、または点滅する赤の LED リング):** メイン フィルタがブロックされているか、または正しくインストールされていない場合、ポップアップが接続済みはんだ付けシステムの上に現れます。



7. メンテナンスとクリーニング

7.1. フィルタ ユニット – メンテナンスと安全性

蒸気抽出システムは低メンテナンスを念頭に設計されています。ハウジングは ESD 対応プラスチック製です。システムを最高の状態で動作させるためのヒント：

クリーニングするには中性洗剤を浸した軽量のワイプを使用し、微粒子や流動物の残渣が貯まるのを防いでください（クリーニング中は必ずユニットをオフにしてください）。



排出口をブロックしないでください。システムの動作温度が上がる原因になり、ユニットに損傷を与えて、性能低下を引き起こす可能性があります。



フィルタ インターロック スイッチを無効化しないでください。フィルタなしでシステムを動かすと、微粒子とフラックスの残渣がブLOWERに固着してシステムの寿命を短くし、雑音を増加させる原因になります。

作動中はシステムを持ち上げないでください。



慎重にフィルタを扱ってください。

7.2. フィルタ交換タイミング

HEPA/ガス フィルタ

蒸気がユニットの中でフィルタにかけられると、時間がたつにつれて捕らえられた微粒子がフィルタのブロックを始めます。粗い微粒子は HEPA フィルタで集められますが、粗粒子はプレフィルタで集められます。目詰まりは気流の減少をもたらし、作業領域から抽出される蒸気量を減少させます。この状態は必ずしもフィルタ交換を必要とするというわけではありません。できれば、1つのステップとして、オプションの抽出アームをアプリケーションの近くに移動させてください。蒸気が以前のような満足のいくレベルで抽出されなくなった場合、または LED が赤か琥珀色へ変化した場合、フィルタ交換が必要です。フィルタ交換手順に関してはセクション 7.4 を参照してください。



警告！

フィルタのクリーニングはしないでください。クリーニングを試みると、フィルタが破損し、健康と機器へのリスクを引き起こす場合があります。



通知： Metcal は少なくとも年 1 回のメイン フィルタの交換を推奨しています。プレフィルタの定期的な交換はメイン フィルタ (HEPA/炭素) の寿命を長引かせます。純正の交換フィルタだけを使用してください。

オプションのディープ ベッド ガス フィルタ

一般に、ディープ ベッド ガス フィルタは、HEPA フィルタにありがちな目詰まり (気流を妨げる) がありません。悪臭がはっきりそれと分かるようになったら、フィルタ (プレフィルタと炭素フィルタの両方) をすぐに取り替えてください。



通知： 少なくとも 6 か月単位でフィルタを取り替えてください。なぜなら、これくらいの期間の経過で、ほとんどの気相フィルタの媒体が、環境中の大気から湿気を吸収することによって飽和状態になるからです。純正の交換フィルタだけを使用してください。

7.3. 安全インターロック

安全スイッチはメイン フィルタが取り外されたときにファン モーターを非アクティブ化するインターロックで、ファンの取入口の露出がされるようにします。また、安全スイッチはシステムがフィルタなしで作動するのを防止し、不純物でフィルタ内のユニットが汚染されないようにします。



安全スイッチの位置



警告！

安全インターロックをバイパスしないでください。安全インターロックをバイパスすると、負傷の原因になることがあります。

7.4. フィルタの交換手順：

1. ユニットをオフにしてください。
2. 電源コードを外してください。
3. プレフィルタを取り外して、取り替えてください (以下のイラストを参照)。
4. メイン フィルタを取り外して、取り替えてください (以下のイラストを参照)。
5. フィルタ ホルダー上の白い点と開口部の先端にある白い点を線上で一致させて、フィルタを再び差し込んでください。フィルタを適所にスライドしてください。
6. フィルタ ホルダーを 90 度時計回りに回転させることによって固定してください。
。Metcal ロゴは、右側を上にして床に対して平行になっていなければなりません。

7. 電源コードを再接続し、システムをオンにしてください。

8. ユニットが作動しない場合、トラブルシューティングセクションを参照してください。



通知：常に新しい交換フィルタを使用してください！

プレフィルタ
トレーを引き
出してください。



プレフィルタを取り外して、
取り替えてください。



トレーをユニットに押し戻して、それ
が完全に密閉されているか確認してく
ださい。

反時計回りにメ
インフィルタ ホ
ルダーを 90 度
回転してくださ
い。



フィルタの付いた状態でフィルタ ホルダー
を引き出してください。



ステップ 3



リリース ラッチを完全に持ち
上げて、フィルタ エレメント
を回転させてください。

ステップ 4



フィルタ エレメン
トを引き離す

ステップ 5



新しいフィルタ エレメントをホルダー
に置き、完全に止まるまで回転してく
ださい。

ステップ 6



ラッチを押し下げて、フィルタ エレメントが適
所でロックされているか確認してください。

ステップ 7



ステップ 8



7.5. フィルタの処分

ガス フィルタは有機物を集積するので処分の際には注意が必要です。フィルタは有毒物質を含んでいることがあり、塵粒の吸入や皮膚への露出を避けなければなりません。施設で使用される材料に関しては MSDS シートを参照し、処方された取扱上の注意事項に従ってください。

8. トラブルシューティング

	考えられる原因	チェックと修正
気流がない	電源がない	オン/オフのスイッチをチェック コンセントをチェック 電源コードをチェック フィルタをチェック 安全インターロックスイッチをチェック
気流不足	空気漏れ	漏出がないかホース/アームをチェックしてください 適切なインストールがされているかホース/アームをチェックしてください 部分的な目詰まりがないかホース/アームをチェックしてください
モーターが動作していない上に赤の LED が表示されている	メインフィルタが挿入されていない、または完全に挿入されていない	ユニットのメインフィルタを押して、完全に挿入されているか確かめてください
モーターが動作していない上に琥珀色 LED が表示されている	プレフィルタが挿入されていない、また完全に挿入されていない	ユニットのプレフィルタを押して、完全に挿入されているか確かめてください
モーターが動作しているが赤の LED が表示されている	メインフィルタの変換が必要	メインフィルタを 7.4 に従って交換してください
モーターが動作しているが琥珀色の LED が表示されている	プレフィルタを交換する必要があります	プレフィルタを 7.4 に従って交換してください

BVX-250 フィルタ ブロック LED 表示は、特定の気流に合わせて工場で較正されています。

- ユーザーガイドに従って BVX-250 を組み立ててください。メイン電源スイッチとリモートスイッチ (使用されている場合) の両方が「オフ」の位置でなければなりません。
- メインユニットのスイッチを入れてリモートスイッチを押してください。電源が入るとリモートスイッチの LED が点灯します。ユニットが動作し、BVX-250 ユニットの LED 表示が緑に変わります。



保証下では、ユニットは認定 Metcal サービスの担当者のみが修理ができます。

9. 部品番号

システム

BVX-250	ユニット、HEPA 13/ガス フィルタとプレフィルタ (アームは別売)
BVX-250-KIT	ユニット、HEPA 13/ガス フィルタ、プレフィルタ、および (1) BVX-ARML、(1) BVX-NOZR、(1) BVX-NOZC (長方形と円形のノズル、ノズルフィルタを含んでいます)

フィルタ

FP-BVX250	プレフィルタ (5 個組み)
FM-BVX250	メイン フィルタ、HEPA 13/ガス/炭素
FG-BVX250	メイン フィルタ、ディープベッド ガス/炭素
FN-BVX	BVX-NOZR および BVX-NOZC 用の交換ノズルフィルタ (5 個組み)

ノズル

BVX-NOZR	BVX システム用の長方形ノズル、ESD 対応
BVX-NOZC	BVX システム用の円形ノズル、ESD 対応
BVX-NOZ1	BVX システム用の蹄形ノズル、ESD 対応

アームキットとアクセサリ

BVX-ARM-K1	2.5' フレキシブルアーム、6' ホース、テーブルブラケットとクランプ、ESD 対応
BVX-ARM	2.5' フレキシブルアーム、2" Ø、ESD 対応
BVX-ARML	5' フレキシブルアーム、2" Ø、ESD 対応
BVX-CH01	6' BVX 接続ホース、2" Ø、ESD 対応
BVX-CH02	12' BVX 接続ホース、2" Ø、ESD 対応
AC-BVX250-DUCT	換気システムへの直接配管 BVX-250 用アダプター
AC-BVX250-OMNI	Omniflex アーム用の BVX-250 アダプター
RPS-1	BVX-200 シリーズ用の交換用リモート電源スイッチ
BVX-TB01	BVX テーブル ブラケット マウントおよび 2 つの C クランプ

10. 保証

システム、アクセサリ、テクニカルノートなど利用可能な情報に関しては Metcal のウェブサイト (www.metcal.com) を参照してください。また、価格や可用性について現地の担当者にお問い合わせください。

Metcal は BVX-250 シリーズについて、最初の所有者が購入してから 1 年間、素材や製造における不具合について保証をします。この保証は通常のメンテナンスを除き、開かれた、誤用された、乱用された、変更された、または破損した品目には適用されません。製品に保証期間内で不具合が生じた場合、Metcal はその単独の裁量により無料でそれを修理するか、または取り替えます。修理または交換された品目は、最初の購入者に送料前払いで納品されます。保証期間は購入日から開始します。購入日を特定できない場合、製造日が保証期間の開始日として使用されます。

ユニットの修理または返品には、返品材料認可番号 (RMA#) を取得する必要があります。

南北アメリカ

OK International
10800 Valley View Street
Cypress, CA 90630, USA
(714) 799-9910
na-custcare@okinternational.com

アジア

OK International
4th floor East, Electronic Building,
Yanxiang Industrial Zone
High Tech Road
Guangming New District, Shenzhen P.R.C
+86-755-2327 6366
china@okinternational.com

ヨーロッパ

OK International
Eagle Close
Chandler's Ford Ind Est
Eastleigh, Hampshire
SO53 4NF, United Kingdom
英語: +44 2380 489 100
フランス語: +33 176 710 403
ドイツ語: +49 711 959 69 744
europe@okinternational.com



BVX-250

이중 스테이션 흙 추출 시스템

7100-2500_A

작동 설명서 및 사용자 가이드

BVX-250 흠 추출 시스템을 구매하신 것을 축하드립니다. 본 제품은 작업장에 있을지 모르는, 유해하고 자극적인 대기 오염 물질로부터 건강을 보호하도록 설계되었습니다. 이는 최고의 품질 기준에 따라 설계 및 제조되었습니다. Metcal BVX-250 시리즈 흠 추출 시스템을 구매해 주셔서 감사합니다.

본 문서는 시스템의 설정, 작동, 사용자 유지 관리를 안내하기 위해 작성되었습니다. 성능 최적화와 안전을 위해 본 문서를 충분히 검토하는 것을 권장합니다.

목차

1. 안전 예방 조치	142
2. 포장 풀기 및 검사	143
3. 설명	145
4. 기술 데이터	149
5. 설치	150
6. 커넥션밸리데이션™ (CV) 및 GT 시리즈 솔더링 시스템과의 통신	152
7. 유지 관리 및 청소	152
8. 문제 해결	156
9. 부품 번호	157
10. 보증	158

BVX-250 빠른 시작 가이드 다운로드

<https://bit.ly/Metcal-BVX-250-Quick-Start-Guide>

1. 안전 예방 조치

1.1. 안전 기호



경고!

이는 작업자 또는 기타 인원이 부상을 입지 않도록 보호하는 안전 규정 및 필수 안전 조치를 말합니다.

주의!

이는 장치 또는 기타 재산이 손상되지 않도록 주의해야 하는 작업과 피해야 할 작업을 강조합니다.



고지:

작동, 조정, 서비스 활동 중 장치를 더 잘 다루기 위한 권장 사항을 제공합니다.

1.2. 안전 경고



경고!

장치를 안전하고 성공적으로 작동시키려면 본 지침을 완전히 열람하십시오. 지침을 준수하지 않아 발생하는 문제에 대해 제조 업체는 어떠한 책임도 지지 않습니다. 나중에 참조할 수 있도록 본 설명서를 잘 보관하십시오.

경고!



장치를 인화성 가스에 대해 사용할 때는 '안전 관리 부서'에 문의하십시오. 본 장치는 폭발에 안전하지 않으며, 오직 농도 수준이 폭발 한계보다 훨씬 낮은 증기를 추출하는 데만 사용할 수 있습니다.

경고!

장치를 이용하여 부식성 물질을 추출하지 마십시오.



경고!

연결 케이블을 열, 기름 또는 날카로운 모서리에 노출시키지 마십시오.

경고!

장치가 안정적이고 안전하게 세워져 있는지 확인하십시오.



경고!

순정 장비 필터만 사용하십시오.

경고!

필터 인서트 없이 장치를 작동하지 마십시오. 추출된 공기에 함유된 오염 물질은 송풍기를 손상시킬 수 있습니다.



경고!

장치를 수리하기 전에 항상 전원 공급 장치를 분리하십시오.

경고!

배기구를 절대 가리지 마십시오.



경고!

동시에 모든 공기 흡입구를 막지 마십시오.

예외: 단일 스테이션 작동을 위해 한 개의 개구부를 차단할 수 있습니다.



경고!

본 시스템에는 자동 과부하 보호 복원 기능이 탑재되어 있으므로 장치가 자동으로 재시동될 수 있습니다.**경고!** 접착제 및 실란트 등 화학 물질 취급에 대한 일반 안전 규정을 준수하십시오. 물질안전보건자료 (MSDS) 에 명시된 제조업체의 지침을 준수하십시오.

2. 포장 풀기 및 검사

흡 추출 시스템의 포장을 조심스럽게 풀고 포장 용기에 들어 있는 품목을 검사합니다. 운송 중 발생한 손상이 있는지 장치를 검사합니다. 운송 중 손상을 발견한 경우 배송사에 즉시 알려십시오. 손상에 대한 청구는 수취인이 배송사에 제기해야 하며, 이를 제조 업체에 보고해야 합니다.

2.1. 제공되는 품목

장치에 2개의 필터 (사전 및 기본) 가 설치되어 있습니다.

원격 시작/정지 스위치 1개

전원 코드 1개

작동 설명서 1부



2.2. 특징

- 호스를 제거하지 않고 필터 교체 가능
- 색상으로 구분된 LED 상태 링
- 99.97%의 헤파 필터 효율성 (HEPA 13)
- 옵션 디베드 가스 필터 (별도 판매)
- 50mm (2인치) 호스 및 암에 연결
- '소프트 스타트' 기능이 있는 ON/OFF 스위치
- 조절 가능한 공기 흐름 — 세 가지 공기 흐름 옵션 (높음, 중간, & 낮음)
- 강력한 공기 흐름 및 큰 흡입 용량
- 가볍고 휴대가 간편하며 컴팩트한 디자인
- ESD 안전 하우징
- UL & CSA, UKCA, KC, PSE, NOM, CE (ISO-14644)
- RoHS/REACH
- 실내에서만 사용 가능
- 0°C~40°C에서 사용 가능
- 0m에서 2,000m 사이의 고도에서 사용 적합
- 오염 등급 2

2.3. 사용법

흙 추출 시스템은 작업장의 연기, 먼지, 증기 등을 제거하는 휴대용 이중 스테이션 여과 시스템입니다. 필터 장치와 함께 제공되는 필터 세트는 주문한 모델에 따라 다른 세트가 제공됩니다.

BVX-250는 사전 필터와 메인 필터가 함께 제공됩니다. 메인 필터는 0.3미크론 입자에 대해 99.97% 효율을 발휘하는 헤파 필터와 활성탄 필터로 구성된 헤파/가스 복합 필터입니다. 본 모델은 납땜 인두, 납땜 냄비 등에서 배출되는 납땜 연기를 처리하기 위한 용도로 설계되었습니다.

용제를 사용한 세척, 컨포멀 코팅 등과 같은 용도에 맞게 설계된 디베드 가스 (활성탄) 메인 필터 (FG-BVX250) 도 제공됩니다. (별도 판매)



경고!

장치를 인화성 가스에 대해 사용하는 경우 '안전 관리 부서'에 문의하십시오. 본 장치는 폭발에 안전하지 않으며, 농도 수준이 폭발 한계보다 훨씬 낮은 증기를 추출하는 데만 사용할 수 있습니다.

사전 필터



메인 필터



3. 설명

3.1. 작동 요소 및 구성



경고: 원격 스위치 잭에 오디오 장치를 삽입하지 마십시오.

경고: USB 포트는 통신 및 데이터 전송에 사용되며 충전 장치로 사용할 수 없습니다.

3.2. 작동 이론

작업장에서 유해 연기를 효율적으로 제거하려면 연기 포집 및 여과라는 2단계의 과정을 거쳐야 합니다.

필터 장치는 이미 설치된 필터 세트와 함께 제공됩니다.

연기를 포집하기 위해 Metcal은 옵션 호스/암 및 액세서리 (별도 구매) 를 사용할 것을 권장합니다.

호스/암을 올바르게 설치하고 (호스/암과 함께 제공되는 설명서) 연기 포집을 최적화하는 방식으로

노즐을 배치해야 합니다.

작업장에서 추출된 공기는 장치 내부의 필터를 통과하면서 정화됩니다. 해당 응용 분야에 어떤 필터가

적합할지 궁금한 경우, 현지 Metcal 담당자에게 문의하십시오.

3.3. 색상으로 구분된 LED 상태 표시 링

BVX-250에는 색상으로 구분된 LED 상태 표시 링이 설계되어 있습니다. 장치의 모드가 바뀌거나 필터 중 하나에 문제가 있는 경우, LED 링의 색상이 바뀝니다.

- **파란색:** 전원이 켜져 있고 장치가 유틸 모드에 있는 상태
- **초록색:** 전원이 켜져 있고, 장치가 정상적으로 작동하며, 연기를 추출하고 있는 상태
- **주황색 점멸등:** 사전 필터가 제대로 설치되지 않은 상태
- **주황색:** 사전 필터를 교체해야 하는 상태
- **빨간색 점멸등:** 메인 필터가 제대로 설치되지 않은 상태
- **빨간색:** 메인 필터를 교체해야 하는 상태

LED 상태 표시 링



필터 교체 절차는 섹션 7.4를 참조하십시오.

3.4. 장치 배기가스 관리

장치의 배기 가스는 부착된 회전식 다이버터를 사용하거나 건물의 환기 시스템에 장치를 연결하여 배출할 수 있습니다.

360 도 회전식 배기 다이버터

BVX-250 모델에는 360 도 회전식 배기 다이버터가 장착되어 있습니다. 장치에서 여과된 공기는 어느 방향으로든 쉽게 송풍됩니다. 배기 다이버터를 회전시켜 원하는 방향으로 공기를 송풍하기만 하면 되므로 작업자의 편의가 극대화됩니다.



조정 가능한 공기 다이버터는 360 도 회전시킬 수 있으므로 작업자 편의가 극대화됩니다.

덕트 시스템에 BVX-250 연결

회전식 다이버터는 쉽게 분리할 수 있는 덕트 어댑터를 사용하여 건물 환기 시스템에 직접 덕트를 연결할 수 있습니다.

1. **다이버터 탈거:** 다이버터는 6 개의 작은 탭으로 장치에 고정됩니다. 맨 위 탭에 해당하는 슬롯에 작은 일자 드라이버를 부드럽게 삽입합니다. 드라이버 헤드로 탭을

약간 아래로 누릅니다. 탭이 눌러지는 것이 느껴집니다. 다이버터가 탈거될 만큼 탭이 충분히 풀릴 때까지 해당 과정을 반복합니다.



- 2. 덕트 어댑터 설치:** 다이버터를 직접 덕트용 옵션 어댑터 (AC-BVX250-DUCT) 로 교체합니다. 이는 다이버터와 동일한 탭 시스템을 사용하여 BVX-250 시스템에 고정됩니다. 어댑터가 꼭 맞는지 확인합니다.

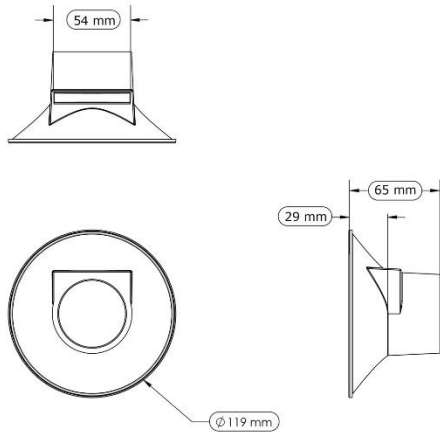


3. 덕트를 어댑터에 연결: 조정 가능한 '웜' 덕트 클램프를 사용하여 표준 3 인치 덕트를 덕트 어댑터에 간단히 부착할 수 있습니다.

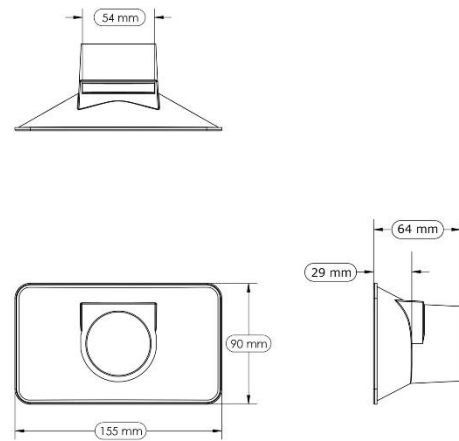


4. 기술 데이터

공기 흐름 최대, 자유로운 송풍	297 m ³ /h (175 cfm)
유속	2 x 75 m ³ /h (45 cfm)
정지 압력	1743 Pa
소음 수준 (대략)	50 dBA (중간 설정에서)
전압	100-240VAC, 1 단계
주파수	50/60Hz
전력	150 와트
안전 규정 준수	UL & CSA, UKCA, KC, PSE, NOM, CE (ISO-14644), TUV
너비/길이/높이 치수(mm)	268 x 400 x 320
너비/길이/높이 치수(인치)	10.5 x 16 x 13 인치
무게 (대략)	12 파운드/5.5kg



BVX-NOZC



BVX-NOZR

5. 설치

5.1 포장 풀기 및 설정

포장재에서 흙 추출 시스템을 꺼내 작업대 아래 바닥이나 연기 추출이 필요한 작업장 근처에 놓습니다. 필터 유지 관리를 위해 장치에 접근할 수 있는지 확인합니다.

장치 전원 코드를 시스템 뒷면의 주 전원 입력 단자에 연결합니다. 전원 코드를 접지된 벽면 콘센트에 꽂습니다.



경고!

감전 위험을 방지하려면 전원을 적절하게 접지된 콘센트에만 연결하십시오.

설치 지침에 따라 장치를 호스/암 (선택 사항) 에 연결합니다. 시스템 전원을 켜려면 장치 오른쪽 상단에 있는 전원 스위치를 누릅니다 (“1”는 “Power On” 위치를 나타냄). 작업자에게 팬이 작동하는 소리가 들리기까지 몇 초 정도 걸릴 수 있습니다. 이는 내장 모터의 ‘소프트 스타트’ 기능 때문입니다.

암/호스를 연기 포집에 최적화된 방식으로 배치합니다.

아래 유지 관리 절차를 따르십시오.

노즐을 호스에 부착

1. 노즐이 움직이지 않을 때까지 눌러 호스에 연결합니다.
2. 노즐을 시계 방향으로 돌려 노즐이 호스에 단단히 부착되었는지 확인합니다.
3. 노즐 필터를 노즐 상단에 삽입합니다. 딸깍 소리가 나면서 제자리에 고정되는지 확인합니다.
4. 조립된 노즐과 호스를 흙 추출 장치의 흡입구에 삽입합니다.



5.2 파란색 LED 상태 표시등 끄기 (선택 사항)

일부 BVX-250 사용자는 장치가 유힬 모드일 때 LED 상태 표시등을 끄는 것을 선호합니다.

유힬 모드를 나타내는 파란색 상태 표시등을 끄는 방법:

6. 장치가 꺼져 있는지 확인합니다.
7. 사전 필터 드로어를 엽니다.
8. 장치를 껍니다.
9. 사전 필터 드로어를 네 번 가볍게 열고 닫습니다.
각 열기/닫기의 주기를 1 초로 유지합니다.
10. 사전 필터 드로어가 완전히 닫혔는지 확인합니다.



이제 파란색 상태 표시등이 비활성화되었으며, 장치가 유힬 모드로 전환되면 표시등이 켜지지 않습니다.

파란색 상태 표시등을 다시 활성화하려면 위 단계를 반복하면 됩니다.

6. 커넥션밸리데이션™ (CV) 및 GT 시리즈 솔더링 시스템과의 통신

BVX-250 시리즈 흙 추출 시스템은 연결된 Metcal CV 또는 GT 시리즈 납땜 시스템과 통신할 수 있습니다.

(펌웨어 업데이트가 필요할 수 있음)

BVX-250 USB 포트와 CV 또는 GT 시리즈 납땜 스테이션의 USB 포트 사이에 A/A 형 USB 케이블을 연결하기만 하면 됩니다.

유휴 모드

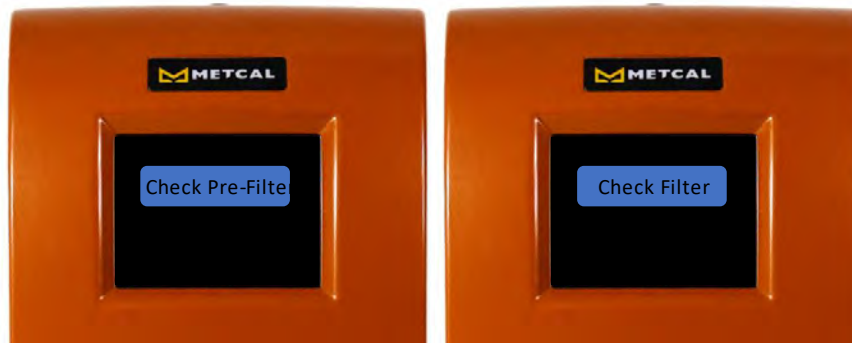
BVX-250 솔더링 시스템이 CV 또는 GT 솔더링 시스템에 연결되면 연결된 솔더링 시스템이 유휴 모드일 때 유휴 모드 (LED 링이 파란색으로 켜짐) 로 전환됩니다. 핸드피스가 설정된 시간 동안 움직이지 않으면 GT 는 공회전/절전 모드로 전환됩니다 (선택 가능). 팁이 슬리퍼 스탠드에 들어가면 CV 가 유휴 상태/절전 모드로 전환됩니다. BVX 가 두 개의 납땜 시스템에 연결된 경우, 추출 시스템에서 유휴 모드가 실행되려면 두 시스템 모두 유휴 모드여야 합니다. 연결된 납땜 스테이션이 더 이상 유휴/절전 모드가 아닌 경우, BVX 장치는 연기 추출을 정상적으로 재개합니다.

화면 알림

이때 연결된 CV 또는 GT 납땜 시스템의 화면에는 흙 추출 시스템에서 전송된 메시지와 같은 알림이 표시됩니다.

LED 링:

- **사전 필터 (빨간색 또는 깜박이는 주황색 LED 링):** 사전 필터를 교체해야 하거나 올바르게 설치되지 않은 경우, 연결된 납땜 시스템에 팝업이 나타납니다.
- **필터 (빨간색 LED 링 또는 깜박이는 빨간색 LED 링):** 메인 필터가 막혀 있거나 올바르게 설치되지 않은 경우, 연결된 납땜 시스템에 팝업이 나타납니다.



7. 유지 관리 및 청소

7.1. 필터 장치 - 유지 관리 및 안전

흙 추출 시스템은 유지 관리가 거의 필요 없도록 설계되었습니다. 하우징은 정전기 방전(ESD)에 안전한 플라스틱 재질입니다. 다음은 시스템을 최상의 상태로 유지하기 위한 몇 가지 팁입니다.

세척하려면 미립자와 플렉스 잔여물이 쌓이지 않도록 순한 세척제로 가볍게 닦으십시오 (청소하는 동안 장치가 꺼져 있어야 함).



배기구를 막지 마십시오. 배기구가 막히면 시스템 작동 온도가 상승하여 장치가 손상되고 성능이 저하될 수 있습니다.



필터 인터록 스위치를 무력화하지 마십시오. 필터 없이 시스템을 가동하면 미립자 및 플렉스 잔여물이 송풍기에 달라붙어 시스템 수명이 단축되고 소음이 증가할 수 있습니다.

작동 중에는 시스템을 들어올리지 마십시오.



필터는 주의해서 다루십시오.

7.2. 필터 교체 시기

헤파 필터/가스 필터

장치 내에서 연기가 여과되면서 시간이 지남에 따라 포집된 미립자가 필터를 막기 시작합니다. 거친 입자는 사전 필터에 수집되고 미세 입자는 헤파 필터에 포집됩니다. 필터가 막히면 공기 흐름이 감소하여 작업장에서 추출되는 연기의 양이 줄어들 수 있습니다. 이러한 상태에서는 필터를 교체할 필요가 없을 수도 있습니다. 취할 수 있는 조치 중 하나는 가능하다면 선택 가능한 추출 암을 적용할 장치에서 더 가까운 위치로 옮기는 것입니다. 연기가 더 이상 이전만큼 만족스럽게 제거되지 않거나, LED 표시등 색상이 빨간색 또는 주황색으로 바뀌면 필터 교체가 필요합니다. 필터 교체 절차는 섹션 7.4를 참조하십시오.



경고!

필터를 청소하려고 하지 마십시오. 필터 세척을 시도하면 필터가 손상되어 건강 및 장비에 잠재적인 위험을 초래할 수 있습니다.



고지: Metcal은 최소한 매년 메인 필터를 교체할 것을 권장합니다. 프리 필터를 정기적으로 교체하면 메인 필터 (HEPA/탄소) 의 수명이 연장됩니다. 정품 교체용 필터만 사용하십시오.

선택 가능한 심층 가스 필터

심층 가스 필터는 일반적으로 헤파 필터처럼 막혀 있지 않으며 공기 흐름을 감소시킵니다. 냄새가 느껴지면 즉시 사전 필터, 탄소 필터를 모두 교체하십시오.



고지: 대부분의 가스 여과형 필터의 여과재는 주변 공기의 수분을 흡수하여 포화 상태에 이르게 되므로, 최소 6개월마다 필터를 교체하십시오. 정품 교체용 필터만 사용하십시오.

7.3. 안전 인터록

안전 스위치는 메인 필터를 제거하면 팬 모터를 비활성화시켜 팬 흡입구가 노출되도록 하는 인터록입니다. 또한, 안전 스위치는 필터 없이 시스템이 작동하는 것을 방지하여 불순물이 내부 장치를 오염시키는 것을 방지합니다.



안전 스위치 위치



경고!

안전 인터록을 우회하지 마십시오. 안전 인터록을 우회하면 부상을 입을 수 있습니다.

7.4. 필터 교체 절차:

1. 장치의 전원을 끕니다.
2. 전원 코드를 분리합니다.
3. 사전 필터를 제거하고 교체합니다 (아래 그림 참조).
4. 기본 필터를 제거하고 교체합니다 (아래 그림 참조).
5. 필터 홀더의 흰색 점을 개구부 상단의 흰색 점에 맞춰 필터를 다시 삽입합니다. 필터를 제자리에 밀어 넣습니다.
6. 필터 홀더를 시계 방향으로 90도 돌려 고정합니다. *Metcal* 로고는 오른쪽이 위를 향하고 바닥과 평행해야 합니다.
7. 전원 코드를 다시 연결하고 시스템 전원을 켭니다.
8. 장치가 작동하지 않는 경우, 문제 해결 섹션을 참조하십시오.



고지: 항상 새 교체용 필터를 사용하십시오!





7.5. 필터 폐기

가스 필터는 일부 유기물을 포집하므로 폐기 시 주의가 필요합니다. 필터에는 독성 물질이 포함되어 있을 수 있으므로 먼지 입자를 흡입하거나 피부에 노출되지 않도록 해야 합니다. 시설에서 사용되는 재료에 대해서는 MSDS 자료를 참조하여 규정된 취급 지침을 따르십시오.

8. 문제 해결

	가능한 원인	확인 및 시정
공기 흐름 없음	전원 없음	ON/OFF 스위치 확인 전원 콘센트 확인 전원 코드 확인 필터 확인 안전 인터록 스위치 확인
공기 흐름이 거의 없음	공기 누출	호스/암에 누출이 있는지 확인 호스/암이 올바르게 설치되었는지 확인 호스/암이 부분적으로 막혔는지 확인
모터가 작동하지 않고 LED 디스플레이에 빨간색 점등	메인 필터가 삽입되지 않았거나 불완전하게 삽입됨	메인 필터를 장치에 넣고 밀어 완전히 삽입되었는지 확인
모터가 작동하지 않고 LED 디스플레이에 주황색 점등	사전 필터가 삽입되지 않았거나 불완전하게 삽입됨	사전 필터를 장치에 넣고 완전히 삽입되었는지 확인
모터가 작동 중이고 LED 디스플레이에 빨간색 점등	메인 필터 교체 필요	7.4 에 따라 메인 필터 교체
모터가 작동 중이고 LED 디스플레이에 주황색 점등	사전 필터 교체 필요	7.4 에 따라 사전 필터 교체

BVX-250 필터 블록 LED 디스플레이는 특정 공기 흐름에 맞게 공장에서 보정되어 있습니다.

15. 사용 설명서에 따라 BVX-250를 조립하십시오. 주 전원 스위치와 원격 스위치 (사용하는 경우) 는 모두 'Off' 위치에 있어야 합니다.
16. 본체의 전원을 켜고 원격 스위치를 누릅니다. 전원이 공급되면 원격 스위치 LED가 켜집니다. 장치가 작동하고 BVX-250 장치의 LED 디스플레이가 초록색으로 바뀌는 것을 확인할 수 있습니다.



보증 기간 중에는 Metcal 공식 서비스 담당자만 장치를 수리할 수 있습니다.

9. 부품 번호

시스템

BVX-250	유닛, HEPA 13/가스 필터 & 프리필터 프리필터 (암은 별매)
BVX-250-KIT	유닛, HEPA 13/가스 필터, 프리 필터, (1) BVX-ARML, (1) BVX-NOZR, (1) BVX-NOZC (직사각형 및 원형 노즐, 노즐 필터 포함)

필터

FP-BVX250	프리 필터 (5 개입)
FM-BVX250	메인 필터, 헤파 필터/가스 필터/탄소 필터 (HEPA 13)
FG-BVX250	메인 필터, 심층 가스 필터/카본 필터
FN-BVX	BVX-NOZR 및 BVX-NOZC 노즐용 교체용 노즐 필터 (5 개 팩)

노즐

BVX-NOZR	BVX 시스템용 직사각형 노즐, ESD 안전
BVX-NOZC	BVX 시스템용 원형 노즐, ESD 안전
BVX-NOZ1	BVX 시스템용 발굽형 노즐, ESD 안전

암 키트 및 액세서리

BVX-ARM-K1	2.5' 플렉시블 암, 6' 호스, 테이블 브래킷 & 클램프, ESD 안전
BVX-ARM	2.5 인치 플렉시블 암, 2 인치 Ø, ESD 안전
BVX-ARML	5' 플렉시블 암, 2 인치 Ø, ESD 안전
BVX-CH01	6' BVX 연결 호스, 2" Ø, ESD 안전
BVX-CH02	12' BVX 연결 호스, 2" Ø, ESD 안전
AC-BVX250-DUCT	환기 시스템에 직접 연결되는 BVX-250 덕트용 어댑터
AC-BVX250-OMNI	Omniflex 암용 BVX-250 어댑터
RPS-1	BVX-200 시리즈용 교체용 원격 전원 스위치
BVX-TB01	BVX 테이블 브래킷 마운트 및 C 클램프 2개

10. 보증

Metcal 웹사이트 (www.metcal.com) 를 방문하여 시스템, 액세서리, 기술 노트 등에 대한 정보를 찾아보십시오. 가격 및 가용성에 대해서는 현지 담당자에게 문의할 수도 있습니다.

Metcal은 원래 소유자가 구입한 날로부터 1년 동안 재료 또는 제조상의 결함에 대해 BVX-250 시리즈를 보증합니다. 해당 보증에는 일반적인 유지 관리가 제외되며, 개봉, 오용, 남용, 변경, 훼손된 제품에는 적용되지 않습니다. 보증 기간 내에 제품에 결함이 생기면 Metcal은 단독 재량으로 제품을 무료로 수리 또는 교환해 드립니다. 수리 또는 교체 제품의 배송은 원 구매자의 운임 선불로 진행됩니다. 보증 기간은 구매일로부터 시작됩니다. 구매 날짜를 입증할 수 없는 경우, 제조일이 보증 기간의 시작일로 적용됩니다.

장치를 수리하거나 반품하려면 반품 승인 번호 (RMA #) 를 받아야 합니다.

아메리카

OK International
10800 Valley View Street
Cypress, CA 90630, USA
(714) 799-9910
na-custcare@okinternational.com

유럽

OK International
Eagle Close
첸들러스 포트 인디애나 이스트
Eastleigh, Hampshire
SO53 4NF, United Kingdom
영국 전화번호: +44 2380 489 100
프랑스 전화번호: +33 176 710 403
독일 전화번호: +49 711 959 69 744
europe@okinternational.com

아시아

OK International
4th floor East, Electronic Building,
Yanxiang Industrial Zone
High Tech Road
Guangming New District, Shenzhen P.R.C
+86-755-2327 6366
china@okinternational.com