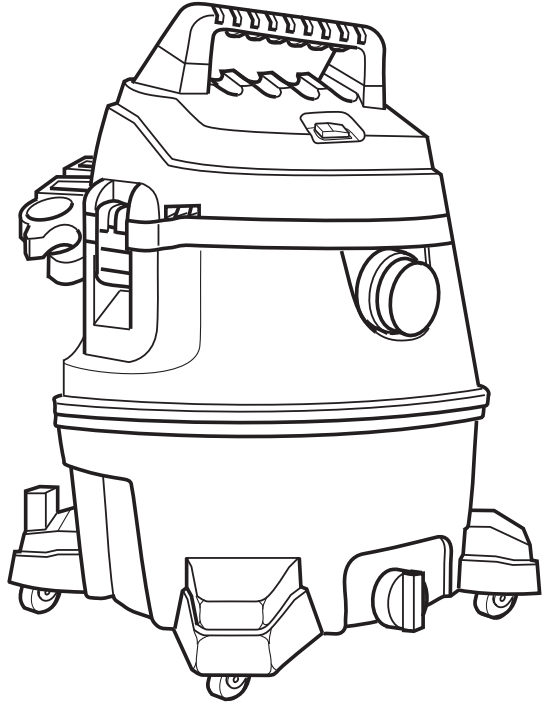


IRIDIUM®

OWNER'S MANUAL

14 U.S. GALLON/ 53 LITER
PROFESSIONAL WET/DRY VAC
WITH CERTIFIED HEPA*
FILTRATION

RV2400HF0



▲ WARNING:

To reduce the risk of injury, the user must read and understand the owner's manual before using this product. For more information relating to the EPA Lead-Safe Renovation, Repair, and Painting rule, see www.epa.gov/lead.

* Tested to 99.97% @ 0.3 micron efficiency;
Lot tested by independent lab to IEST-RP-CC001.5.

SAVE THIS MANUAL FOR FUTURE REFERENCE

Part No. SP6775

**Test Equipment
Depot**

1-800-517-8431

99 Washington Street
Melrose, MA 02176
Phone 781-665-1400
Toll Free 1-800-517-8431



Visit us at www.TestEquipmentDepot.com

Table of Contents

Section	Page	Section	Page
Important Safety Instructions	2	Emptying the Drum	12
Grounding Instructions	4	Moving the Wet/Dry Vac	12
Introduction	5	Blowing Feature	13
Unpacking and Checking Carton Contents	5	Maintenance	14
Filter Installation	7	Filter	14
Drum/Caster Foot Assembly	8	Cleaning and Disinfecting After General Debris Cleanup	14
Accessory Storage Holder	9	Cleaning and Disinfecting After RRP Cleanup	14
Accessory Storage	9	Cord Maintenance	15
Cord Wrap	9	Storage	15
Wet/Dry Vac Assembly	10	Casters	15
Insert Hose	10	Repair Parts	16
Operation	11	Warranty	18
Vacuuming Dry Materials	12		
Vacuuming Liquids	12		

IMPORTANT SAFETY INSTRUCTIONS

Safety is a combination of using common sense, staying alert, and knowing how your Wet/Dry vacuum cleaner (“Vac”) works.

Safety Signal Words

▲ DANGER: Indicates a hazardous situation which, if not avoided, will result in death or serious injury.

▲ WARNING: Indicates a hazardous situation which, if not avoided, could result in death or serious injury.

▲ CAUTION: Indicates a hazardous situation which, if not avoided, could result in minor or moderate injury.

When using your Vac, always follow basic safety precautions including the following:

▲ WARNING

- To reduce the risk of fire, electric shock, or injury:

- Read and understand this manual and all labels on the Vac before operating.
- Use only as described in this manual.
- Do not leave Vac running while unattended - you may fail to notice important signs indicating abnormal operation such as loss of suction, debris/liquid exiting exhaust, or abnormal motor noises. Immediately stop using Vac if you notice these signs.
- Do not leave Vac when plugged in. Unplug from outlet when not in use and before servicing.

- Sparks inside the motor can ignite flammable vapors or dust. To reduce the risk of fire or explosion, do not use near combustible liquids, gases, or dusts, such as gasoline or other fuels, lighter fluid, cleaners, oil-based paints, natural gas, coal dust, magnesium dust, grain dust, aluminum dust, or gun powder.
- Do not vacuum anything that is burning or smoking, such as cigarettes, matches, or hot ashes.
- When using for EPA RRP cleanup tasks, use only certified Ridgid HEPA filter, HF1000.
- Even when used with a HEPA filter, extremely small particles may pass through the filter. Always wear appropriate protective safety equipment.
- To reduce the risk of electric shock, do not expose to rain or allow liquid to enter motor compartment. Store indoors.
- Do not allow to be used as a toy. Close attention is necessary when used by or near children.
- Do not use with a torn filter or without filter installed except when vacuuming liquids as described in this manual. Dry debris ingested by the impeller may damage the motor or be exhausted into the air.
- Turn off Vac before unplugging.
- To reduce the risk of injury from accidental starting, unplug power cord before changing or cleaning filter.

- Do not unplug by pulling on cord. To unplug, grasp the plug, not the cord.
- Do not use with damaged cord, plug, or other parts. If your Vac is not working as it should, has missing parts, has been dropped, damaged, left outdoors, or dropped into water, call customer service.
- Do not pull or carry by cord, use cord as handle, close a door on cord, or pull cord around sharp edges or corners. Do not run Vac over cord. Keep cord away from heated surfaces.
- Do not handle plug, switch, or the Vac with wet hands.
- Use only extension cords that are rated for outdoor use and have a grounding conductor. Extension cords in poor condition or too small in wire size can pose fire and shock hazards. To reduce the risk of these hazards, be sure the cord is in good condition and that liquid does not contact the connection. Do not use an extension cord with conductors smaller than 16 gauge (AWG) in size. To reduce power loss, use a 14 gauge extension cord if 25 to 50 ft long and 12 gauge for 50 ft or longer.
- Connect only to a properly-grounded outlet. See grounding instructions.
- Do not put any object into ventilation openings. Do not vacuum with any ventilation openings blocked; keep free of dust, lint, hair, or anything that may reduce air flow.
- Keep hair, loose clothing, fingers, and all parts of body away from openings and moving parts.
- To reduce the risk of falls, use extra care when cleaning on stairs.
- To reduce the risk of back injury or falls, do not lift a Vac that is heavy with liquid or debris. Partially empty by scooping debris or draining liquid.
- To reduce the risk of personal injury or damage to Vac, use only Ridgid recommended accessories.
- When using as a blower:
 - Direct air discharge only at work area.
 - Do not direct air at bystanders.
 - Keep children away when blowing.
 - Do not use blower for any job except blowing dirt and debris.
 - Do not use as a sprayer.
 - Wear safety eyewear.
- To reduce the risk of eye injury, wear safety eyewear. The operation of any utility Vac or blower can result in foreign objects being blown into the eyes, which can result in severe eye damage.
- To reduce the risk of being struck by, or pulled down by, a rolling Vac, block the casters when using on any uneven or sloped surface.

⚠ CAUTION:

- To reduce the risk of hearing damage, wear ear protectors when using for extended time or in a noisy area.
- For dusty operations, use appropriate respirator/dust mask.
- Static shocks are common when the relative humidity of the air is low. Vacuuming fine debris with your Vac can deposit static charge on the hose or Vac. To reduce the frequency of static shocks or when using this Vac, add moisture to the air with a humidifier.

Observe the following warnings that appear on the motor housing of your Vac:

⚠ WARNING: For your own safety, read and understand owner's manual. Do not run unattended. Do not pick up hot ashes, coals, toxic, flammable or other hazardous materials. Do not use around explosive liquids or vapors.

WARNING: To reduce the risk of electric shock - do not expose to rain - store indoors.

NOTE: Certified filter HF1000 must be used to satisfy the EPA RRP clean-up rule.

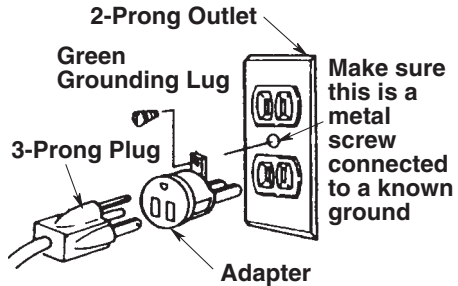
SAVE THIS MANUAL

Grounding Instructions

This appliance must be grounded. If it should malfunction or break down, grounding provides a path of least resistance for electric current to reduce the risk of electric shock. This appliance is equipped with a cord having an equipment-grounding conductor and grounding plug. The plug must be inserted into an appropriate outlet that is properly installed and grounded in accordance with all local codes and ordinances.

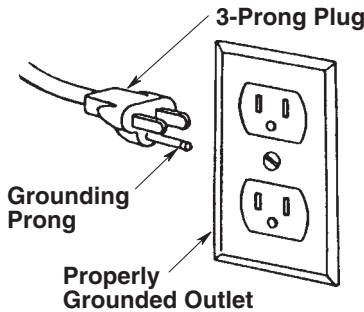
This Vac is for use on a nominal 120-volt circuit, and has a grounded plug that looks like the plug shown. A temporary adapter that looks like the adapter shown may be used to connect this plug to a 2-pole receptacle, as shown. If a properly grounded outlet is not available, the temporary adapter should be only until a properly grounded outlet can be installed by a qualified electrician.

⚠ WARNING:
 Improper connection of the equipment grounding conductor can result in a risk of electric shock. Check with a qualified electrician or service person if you are in doubt as to whether the outlet is properly grounded. Do not modify the plug provided with the appliance - if it will not fit the outlet, have a proper outlet installed by a qualified electrician.



The green-colored rigid ear, lug, or the like, extending from the adapter, must be connected to a permanent ground such as a properly grounded outlet box cover. Whenever the adapter is used, it must be held in place by a metal screw.

NOTE: In Canada, the use of a temporary adapter is not permitted by the Canadian Electrical Code.



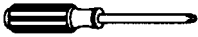
Introduction

This Vac is rated for commercial and household use. This Wet/Dry Vac is supplied with a certified HEPA dust filter and meets the EPA definition of a HEPA vacuum. It can be used for lead renovation work under the EPA's Lead

RRP rule. It can be used to pick up material like sawdust and gravel, as well as ultra fine material like drywall dust and cold fireplace ash. These types of materials are so small they would pass through traditional filters.

Unpacking and Checking Carton Contents

Tools Required



Phillips Screwdriver



Hammer



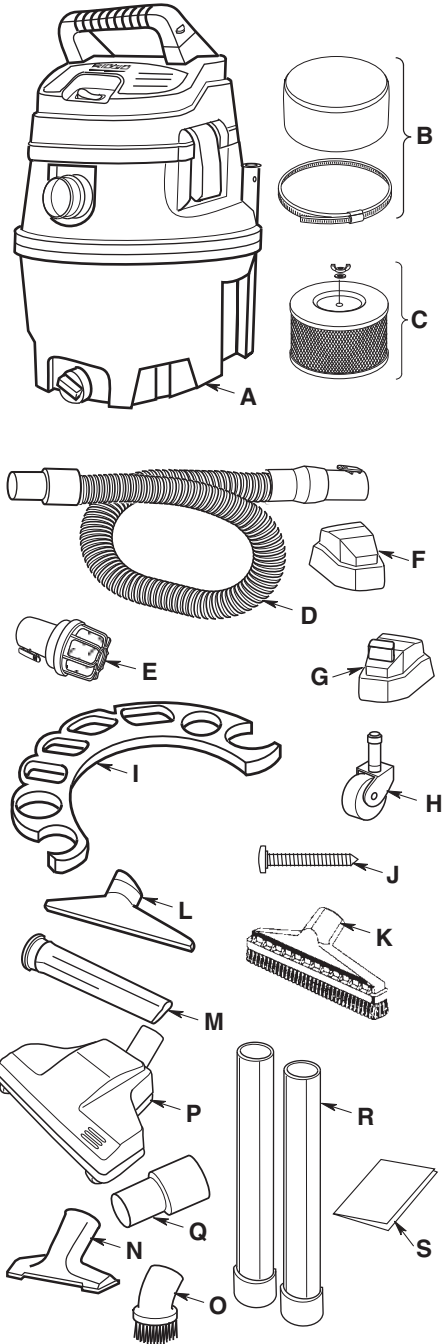
Mallet

Refer to the assembly sketch for positioning of parts.

Unpacking and Checking Carton Contents (cont.)

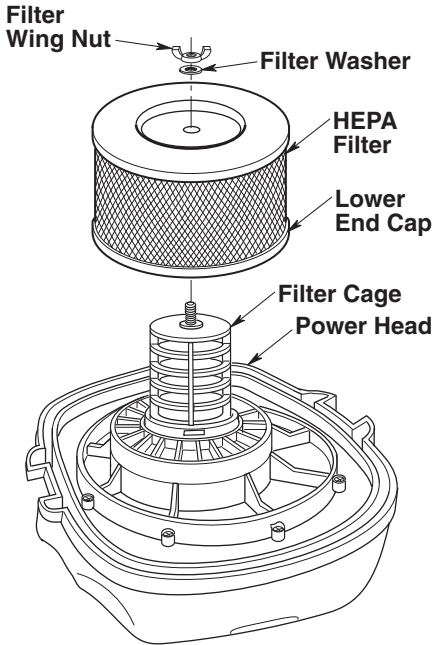
Carton Contents List

Key	Description	Qty
A	Wet/Dry Vac Assembly	1
B	Pre-Filter	1
C	Certified HEPA Filter	1
D	"Tug-A-Long Hose™"	1
E	Diffuser	1
F	Caster Feet, Front	2
G	Caster Feet, Rear	2
H	Casters	4
I	Accessory Storage Holder	1
J	Screw, Type AB #10 x 1-3/4	4
K	14" Floor Brush	1
L	Wet Nozzle	1
M	Crevice Tool	1
N	Utility Nozzle	1
O	Dusting Brush	1
P	Turbo "Beater Bar" Nozzle	1
Q	2.5" to 1.25" Adapter	1
R	Extension Wands	2
S	Owner's Manual	1



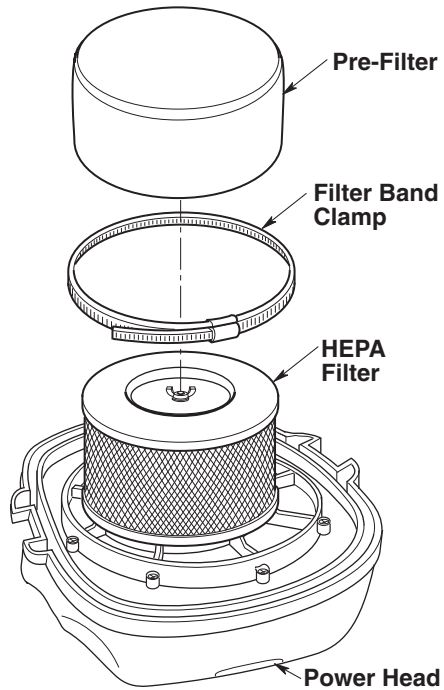
Filter Installation

1. Make sure the gasket on the HEPA filter and the sealing surface on the power head are not damaged and are clean and free of debris
2. Place the HEPA filter onto the filter cage until the HEPA filter is snug against the power head. Be sure the filter cage's threaded stud protrudes through the HEPA filter opening.
3. Position the filter washer with the rubber side against the HEPA filter and then place the filter wing nut onto the threaded stud of the filter cage. Hand-tighten the filter nut to secure the HEPA filter to the power head.



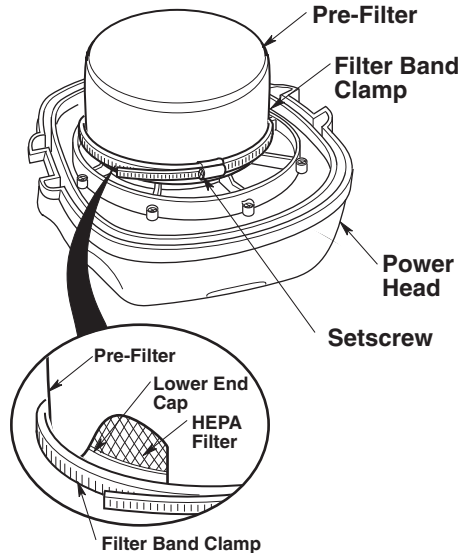
▲ WARNING: Do not operate without filter cage and float, as they prevent liquid from entering the impeller and damaging the motor.

4. Slide the pre-filter onto the assembled HEPA filter.



5. Position the filter band clamp on the pre-filter, over the lower end cap, as shown. Tighten with a screwdriver to secure.

NOTE: Damage to filter will occur if filter band clamp is tightened around the filter screen.

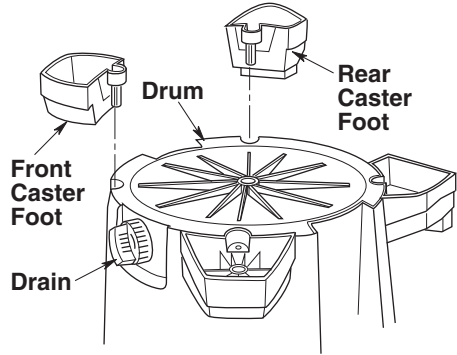


Drum/Caster Foot Assembly

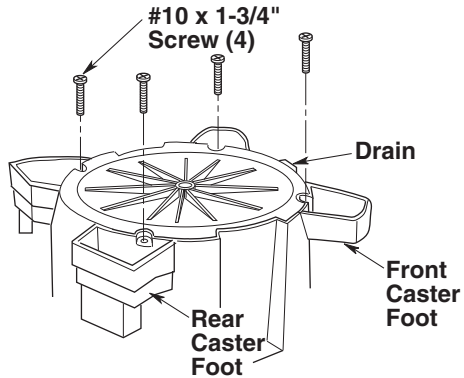
If any parts are missing or damaged contact Customer Service.

Do not assemble until you have all the parts.

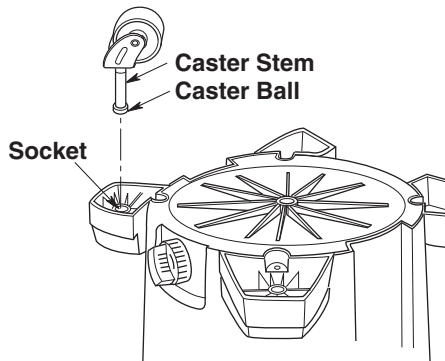
1. Insert the front and rear caster feet into the bottom of drum as shown. Light taps with a mallet or hammer may be needed to fully seat both caster feet.



2. Install (4) #10 x 1-3/4" screws into matching holes on both front and rear caster feet, securing them to the bottom of the drum. Tighten screws until just snug. Do not over tighten as this may tend to deform the caster feet.



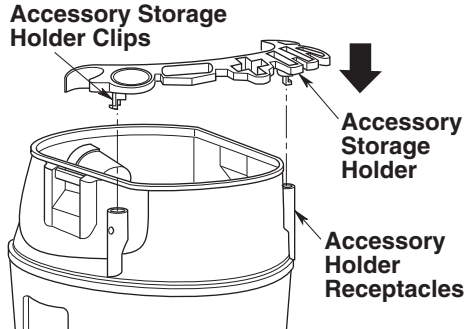
3. Insert the caster stem into each of the caster feet, as shown.
4. Push on the caster until the ball on the caster stem is inserted all the way into the socket. You will be able to hear the ball snap into the socket and the caster will swivel easily when positioning is correct.



Accessory Storage Holder

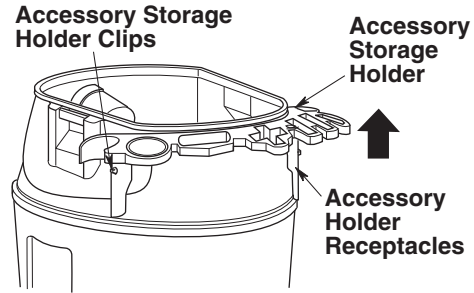
Installing Accessory Storage Holder

1. Position rods of accessory storage holder directly over accessory rod receptacles in dust drum.
2. Slide accessory storage holder into accessory rod receptacles until fully seated with holder clips locked.



Removing Accessory Storage Holder

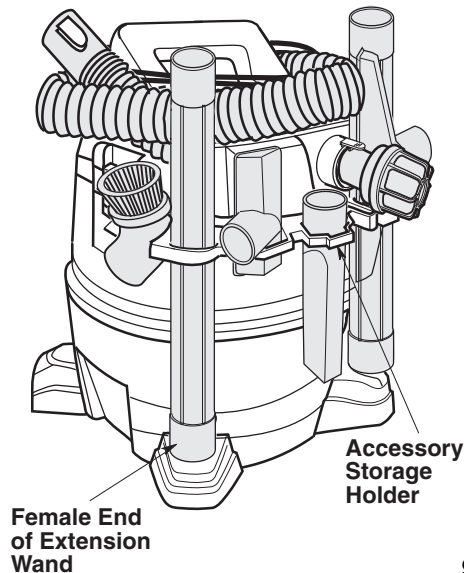
Push in both accessory storage holder clips and then pull straight up on rods of accessory storage holder.



Accessory Storage

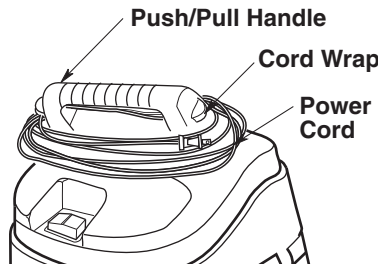
Your accessory storage holder has been designed to hold all the accessories included with your vac. The accessories and hose should be stored as shown.

NOTE: Insert female end of extension wand into the holder sleeve as shown.



Cord Wrap

When vacuuming is complete, unplug the cord and wrap it around the power assembly as shown. The cord should wrap under the pull handle (above the inlet) and around and under the cord wrap of the motor cover.

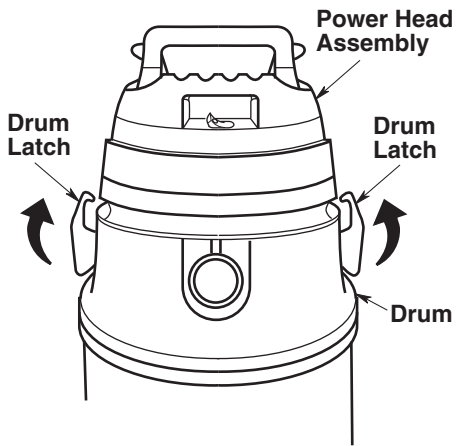


Wet/Dry Vac Assembly

1. Position the power head assembly on the drum assembly as shown (assembled earlier).

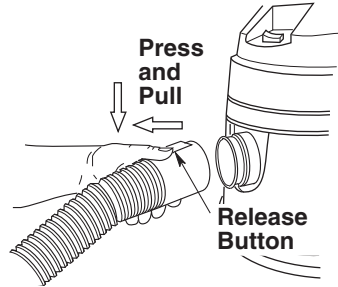
NOTE: Make sure the gasket on the power head and the sealing surface on the drum are not damaged and are clean and free of debris

2. Hook the latches over the tab on the power head assembly. Press the latches down until they snap closed against the sides of the drum.



Insert Hose

Insert the push button end of the “Tug-A-Long” hose into the inlet of the Vac. The hose should snap into place. To remove the hose from the Vac, press the release button in the hose assembly and pull the hose out of the Vac inlet, as shown.



Operation

▲ WARNING: To reduce the risk of fire, explosion, or damage to Vac:

- Do not leave Vac running while unattended - you may fail to notice important signs indicating abnormal operation such as loss of suction, debris/liquid exiting the exhaust, or abnormal motor noises. Immediately stop using Vac if you notice these signs.
- Do not leave Vac plugged in when not in use.
- Do not continue running when float has cut off suction.
- Sparks inside the motor can ignite airborne flammables. Do not operate Vac near flammable liquids or in areas with flammable gases, vapors, or explosive/airborne dust. Flammable liquids, gases, and vapors include: lighter fluid, solvent-type cleaners, oil-based paints, gasoline, alcohol, and aerosol sprays. Explosive dusts include: coal, magnesium, aluminum, grain, and gun powder.
- Do not vacuum up explosive dusts, flammable liquids, or hot ashes.

▲ WARNING: To reduce the risk of electric shock or injury:

- Do not expose to rain or allow liquid to enter motor compartment. Store indoors.
- Do not handle plug, switch, or Vac with wet hands.
- Unplug Vac before servicing. If your Vac is not working as it should, has missing parts, has been dropped, damaged, left outdoors, or dropped into water, return it to an independent service center or call customer service.
- When using an extension cord, use only outdoor-rated cords that are in good condition. Do not allow the connection to come into contact with liquid.

After you plug the power cord into the outlet, turn the unit on by pushing the switch from position "O" to position "I". The symbols used on the switch actuator are international "On & Off" symbols:

 = OFF | = ON

Familiarize yourself with the accessories included with the Vac. Each accessory may be used in various ways for vacuuming and blowing debris. Here is a list of some of the accessories and their uses.

Diffuser - Use to disperse the exhaust air stream while reducing noise. Insert into the blowing port.

Extension Wands - These wands can be connected together and provides additional length for more reach.

Turbo Nozzle - This air driven beater bar tool is used for large area clean-up on carpeted surfaces.

Hose - Provides transfer of vacuum or blowing capability to work site. Provides the means of attaching extension wands and nozzles.

Utility Nozzle - General purpose nozzle for most vacuuming applications.

Wet Nozzle - Used for wet pickup on smooth surfaces to pick up liquid and dry the surface in one stroke.

14" Floor Brush - Used for large area clean-ups on smooth surfaces.

Dusting Brush - Can be used with a 1-1/4" or a 2-1/2" hose with included adapter.

2.5" to 1.25" Adapter - Allows accessories to adapt to a 2-1/2" hose.

Operation (continued)

Vacuating Dry Materials

1. The filter must always be in correct position to reduce the risk of leaks and possible damage to Vac.
2. Your Wet/Dry Vac comes with the certified HEPA filter installed. When using your Vac to pick up very fine dust, it will be necessary for you to empty the drum and clean the filter at more frequent intervals to maintain peak Vac performance. For best results, use the certified HEPA filter (HF1000) in conjunction with the pre-filter (HF0500) and the filter collection bag (VF3502).

NOTE: A dry filter is necessary to pick up dry material. If you use your Vac to pick up dust when the filter is wet, the filter will clog quickly and be very difficult to clean.

Vacuating Liquids

1. When picking up small amounts of liquid the cartridge filter (HF1000) may be left in place, but the bag filter, if used, should be removed.
2. When picking up large amounts of liquid all filters can be removed.

IMPORTANT: While filters are removed this Vac no longer meets EPA RRP guidelines for dry pickup.

3. If filters are removed during liquid pickup, the float mechanism will rise automatically to cut off air-flow. When this happens, turn off the Vac, unplug the power cord, and empty the drum. You will know that the float has risen because Vac airflow ceases and the motor noise will become higher in pitch, due to increased motor speed.
4. After using the Vac to pick up liquids, the filters must be dried to reduce the risk of possible mildew and damage to the filters.

IMPORTANT: To reduce the risk of damage to the Vac, do not run motor with float in raised position.

Emptying the Drum

1. The Vac comes equipped with a drain for easy emptying of liquids. Simply unscrew the drain cap and lift the opposite side slightly to empty the drum.
2. Another option is to remove the power head assembly.
3. Lay power head assembly aside on a clean area while emptying drum.
4. Dump the drum contents into the proper waste disposal container.

▲ WARNING: To reduce the risk of back injury or falls, do not lift a Vac heavy with liquid or debris. Scoop or drain enough contents out to make the Vac light enough to lift comfortably.

Moving the Wet/Dry Vac

Should it become necessary to pick the Vac up to move it, the handle on the sides of the dust drum are used to lift. To maneuver the Vac, the push/pull handle on the power head of the unit should be used.

Operation (continued)

Blowing Feature

Your Vac features a blowing port. It can blow sawdust and other debris. Follow the steps below to use your Vac as a blower.

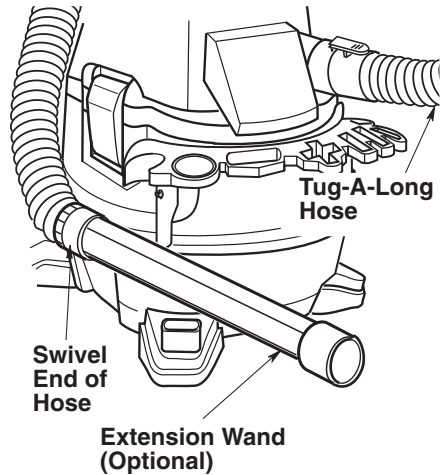
▲ WARNING: Always wear safety eyewear complying with ANSI Z87.1 (or in Canada, CSA Z94.3) before using as a blower.

▲ WARNING: To reduce the risk of injury to bystanders, keep them clear of blowing debris.

▲ CAUTION: Wear an appropriate respirator/dust mask if blowing creates dust which might be inhaled.

▲ CAUTION: To reduce the risk of hearing damage, wear ear protectors when using the Vac/Blower for extended time or in a noisy area.

1. Locate blowing port of your Vac.
2. Insert the locking end of the tug-along hose into the blowing port of the Vac. The hose should snap into place.
3. (Optional) Attach extension wand to opposite end of hose.
4. Turn Vac on and you are ready to use your Vac as a blower.



Maintenance

Filter

▲ WARNING: To reduce the risk of injury from accidental starting, unplug power cord before changing or cleaning filter.

Your 14 Gallon Professional Wet/Dry Vac is supplied with RIDGID's certified HEPA filter. Replacement certified HEPA filters are available where you purchased your Vac. Ask for the RIDGID HF1000 HEPA filter and HF0500 pre-filter.

NOTE: This filter is made of high quality HEPA media designed to stop very small particles of dust. The filter can be used for wet or dry pick up. Handle the filter carefully when removing to clean or installing it. Follow the EPA guidelines for RRP cleanup.

Filter Removal

Refer to page 7 "Filter Installation" Section of this manual.

Allow the filter to dry before reinstalling and storing the Vac.

IMPORTANT: After cleaning, check all filters for tears or small holes. Do not use a filter with holes or tears in it. Even a small hole can allow dust to pass through the filters. If a filter is damaged or worn, replace it immediately.

▲ WARNING: Do not operate without filter cage and float, as they prevent liquid from entering the impeller and damaging the motor.

IMPORTANT: To avoid damage to the blower wheel and motor, always reinstall the filter before using the Vac for dry material pick-up.

Cleaning and Disinfecting After General Debris Cleanup

To keep your Wet/Dry Vac looking its best, clean the outside with a cloth dampened with warm water and mild soap.

To clean the drum:

1. Dump debris out.
2. Wash drum thoroughly with warm water and mild soap.
3. Wipe out with dry cloth.

Before prolonged storage or as needed (i.e.; waste water pick up) the drum should be disinfected.

To disinfect the drum:

1. Pour 1 gallon of water and 1 teaspoon chlorine bleach into the drum.
2. Let solution stand for 20 minutes, carefully swishing every few minutes, making sure to wet all inside surfaces of the drum.
3. Empty drum after 20 minutes. Rinse with water until bleach smell is gone. Allow drum to dry completely before sealing the motor on the drum.

Cleaning and Disinfecting After RRP Cleanup

If you are using this vacuum in accordance with lead safe work practices under the EPA Renovation, Repair and Painting rule, follow the guidelines established by the EPA.

Maintenance (continued)

Cord Maintenance

When vacuuming is complete, unplug the cord and wrap it around the motor cover. If the power cord is damaged, it must be replaced by the manufacturer or their service agent or by similarly qualified personnel to reduce the risk of accident.

Storage

Before storing your Vac, the drum should be emptied and cleaned. The cord should be wrapped around the unit and the hose should be stored with the Vac.

Accessories should be kept in the same area as the Vac so they can be readily available. The Vac should be stored indoors.

Casters

If your casters are noisy, you may put a drop of oil on the roller shaft to make them quieter.

▲ WARNING: To assure product SAFETY and RELIABILITY, repairs and adjustments should be performed by Independent Service Centers, always using RIDGID replacement parts.



99 Washington Street
Melrose, MA 02176
Phone 781-665-1400
Toll Free 1-800-517-8431



Visit us at www.TestEquipmentDepot.com

Repair Parts

14 U.S. Gallon/ 53 Liter Professional Wet/Dry Vac With Certified HEPA Filtration Stock Numbers RV2400HF (Model RV2400HF0)

▲ WARNING: To reduce the risk of injury from electrical shock, unplug power cord before servicing the electrical parts of the Wet/Dry Vac.

Key No.	RV2400HF Part No.	Description
1	830564	Actuator, Switch
2	73180	Switch, Toggle
3	822374-8	Motor Brushes (1 set)
4	831567	Motor Assembly
5	831657	Cord Assembly
6	VT2525	Diffuser
7	833424	Drum Latch
8	831388	Float
9	833499	Filter Cage
10	HF1000	HEPA Filter, Washer, Wing Nut (also includes HF0500)
11	HF0500	Pre-Filter, Band Clamp
12	827415	Motor Gaskets (2)
13	831337-7	Tug-A-Long Hose
14	VT2508	Extension Wand
15	VT2514	Floor Brush
16	VT2510	Wet Nozzle
17	VT2502	Crevice Tool
18	VT2509	Utility Nozzle
19	VT2501	Dusting Brush
20	VT2571	Turbo "Beater Bar" Nozzle with Adapter
21	820563-12	Screw, Type AB#10 x 1-3/4"
22	833132	Accessory Storage Holder
23	830715	Caster Feet (Front)
24	830716	Caster Feet (Rear)
25	73102	Casters
26	SP6775	Owner's Manual

Repair Parts (continued)

⚠ WARNING: To reduce the risk of injury from electrical shock, unplug power cord before servicing the electrical parts of the Wet/Dry Vac.

